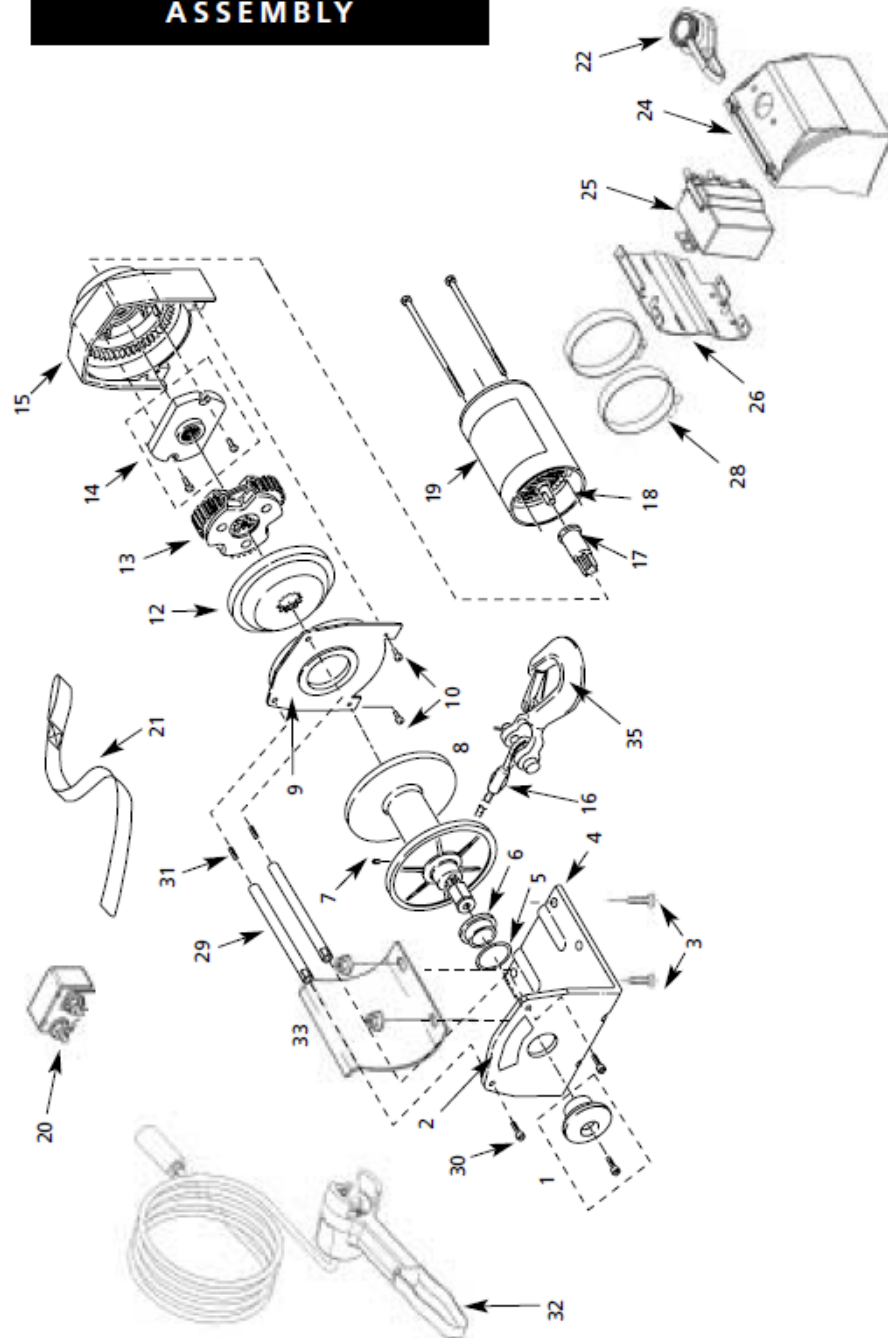


# Superwinch GP3000

## GP3000 WINCH ASSEMBLY



## REPLACEMENT PARTS LIST

Reference Number	Description	Part Number	Qty
1	Freewheel Knob Assembly	87-10786	1
2	Label-Instruction-Freewheel	87-10903	1
3	Screw, FCHSS M6 x 1 x 16	87-22291-02	2
4	Baseplate Assembly	87-41354	1
5	.020 Thick Flat Washer	90-23193-03	AR
	.030 Thick Flat Washer	90-23120-05	AR
6	T-Series Bushing	87-10778	1
7	M5 x 0.8 x 6 Set Screw	87-23309-01	1
8	Drum Assembly	87-20371	1
9	Drum Support Plate	87-33329	1
10	Screw, STPH M4 x 0.7 x 10	87-23030-14	2
12	T-Series Rotator Gear	87-33309	1
13	T-Series Carrier Assembly	87-20308	1
14	Brake Assembly	87-22541-01	1
15	Stationary Gear Housing Assembly	87-20309-01	1
16	Wire Rope Assembly	1511F	1
	Wire Rope Assembly w/ hook (CE Version)	1511G	1
17	Motor Pinion Gear	87-22401	1
18	Motor (includes Through-Bolts) and label	87-17356	1
19	Product/Warning Label	87-22936	1
20	Circuit Breaker Assembly	87-22873-14	1
21	Handsaver, Nylon Cord	87-31120	1
22	Socket Assembly	90-25048-01	1
24	Solenoid box with label	87-17361	1
25	Solenoid, 12V	98-10880	1
26	Solenoid bracket	87-24414	1
28	Clamp	87-14459	2
29	Tie Rod	87-10807	2
30	Tie Rod Screw	87-23257-04	2
31	Tie Rod Set Screw	87-23164-14	2
32	Handheld remote	90-33450-01	1
33	Tension Plate	87-22381	1
34	M5 x 0.8 Hex Flanged Nut	87-23149-05	2
35	Clevis Hook	87-20312	1
	Not applicable for CE Version	-	-
D	Battery Lead Wire Set	87-17358	1
D	Solenoid Box Wiring Assembly	87-17359	1
D	Owner's Manual	87-17375	1
D	Roller Fairlead	1560C	1

NA Not Applicable  
 AR As Required  
 D Not Shown