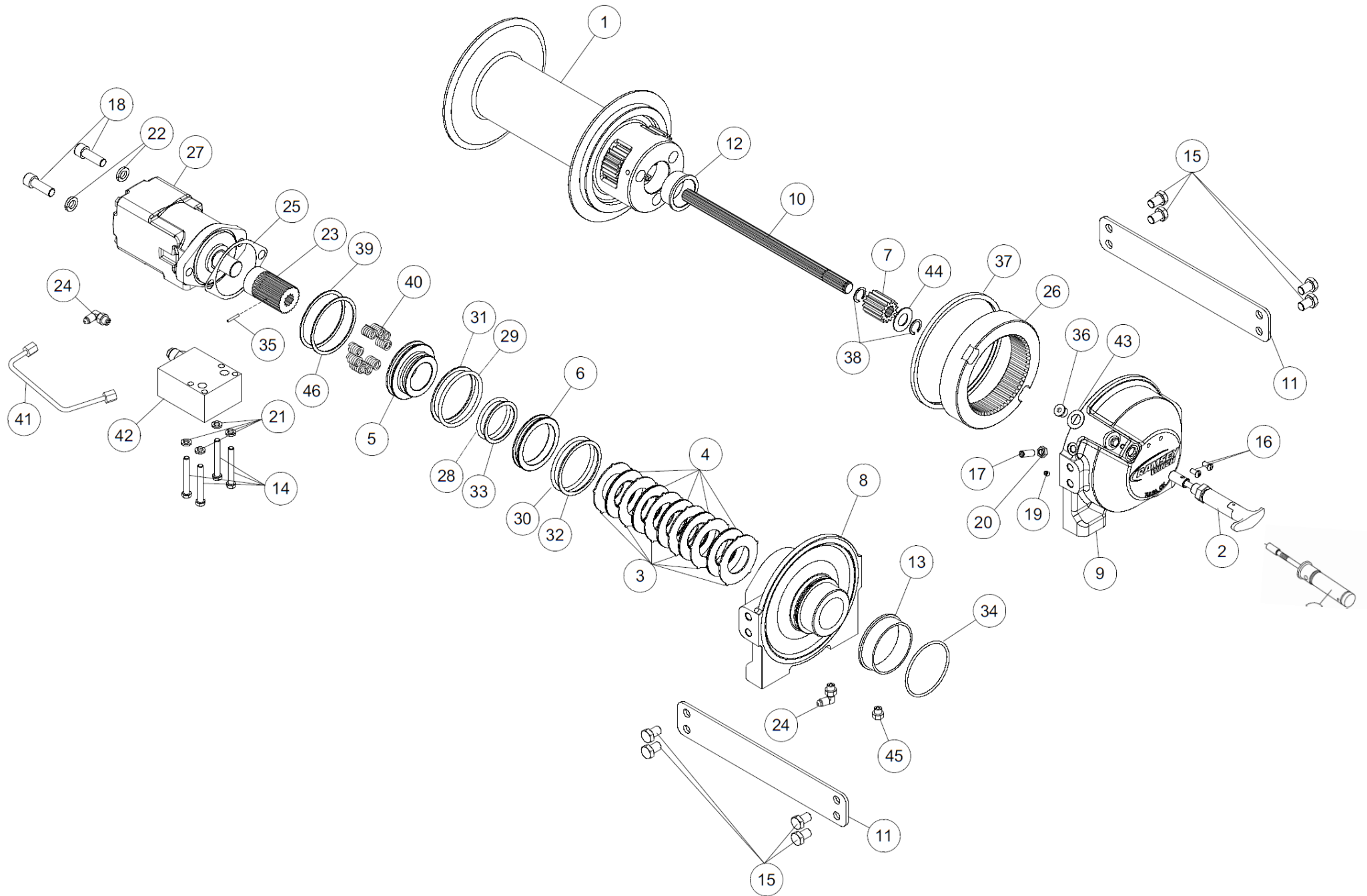


Ramsey HD-P8000



Ramsey HD-P8000 Air and Manual Freespool

Item No.	Quantity	Part No.	Description	Item No.	Quantity	Part No.	Description
1	1	234205	DRUM ASSY STD	24	2	432018	FITTING
	1	234204	DRUM ASSY "Y"	25	1	442223	GASKET-MOTOR FLANGE
2	1	276058	AIR SHIFTER ASSY				
2	1	276048	SHIFTER ASSY	26	1	444084	GEAR-RING
3	6	330011	STATOR-BRAKE	27	1	458074	MOTOR-HYD.
4	5	330012	DISC-BRAKE	28	1	462067	O-RING PISTON-SM.
5	1	330013	PISTON-BRAKE	29	1	462068	O-RING PISTON-LG.
6	1	330014	PISTON-BACKUP BRAKE	30	1	462069	O-RING BACKUP PISTON
7	1	334174	GEAR-OUTPUT, SUN	31	1	462070	RING-BACKUP PISTON-LG
8	1	338358	END BEARING-MOTOR	32	1	462071	RING-BACKUP BACKUP PISTON
9	1	338359	END BEARING-GEAR HOUSING	33	1	462072	RING-BACKUP PISTON-SM
10	1	357177	SHAFT-INPUT STD DRUM	34	1	462073	O-RING
	1	357176	SHAFT-INPUT "Y" DRUM	35	1	470033	SPIROL PIN
11	2	395427	PLATE-TIE STD DRUM	36	1	472052	PLUG
	2	395426	PLATE-TIE "Y" DRUM	37	1	486080	SEAL
12	1	412085	BUSHING-DRUM	38	2	490003	SNAP RING
13	1	412109	BUSHING-DRUM, MOTOR END	39	1	490049	RING-INTERNAL RETAINING
14	4	414159	CAPSCREW-5/16-18UNC X 2 1/2", HEX HEAD, ZINC, GR5	40	9	494124	SPRING-BRAKE
15	8	414581	CAPSCREW-1/2-13NC X 3/4", HEX HEAD, ZINC, GR5	41	1	509132	TUBE-BRAKE RELEASE (PORTS DOWN)
16	2	414854	SCREW-1/4-20NC X 1/2", ROUND HEAD, SLOTTED, ZINC		1	509131	TUBE-BRAKE RELEASE (PORTS UP)
17	1	414926	SETSCREW-3/8-16NC X 1", SOCKET HEAD, NYLON	42	1	516041	VALVE-MOTOR CONTROL (A ROTATION)
18	2	414954	CAPSCREW-1/2-13NC X 1 3/4", SOCKET HEAD, ZINC		1	516042	VALVE-MOTOR CONTROL (B ROTATION)
19	1	416016	SETSCREW-1/4-20NC X 1/4", HEX SOCKET HEAD CUP	43	1	518037	THRUST WASHER
20	1	418036	NUT-3/8-16 NC, HEX JAM, ZINC	44	1	518047	THRUST WASHER
21	4	418163	LOCKWASHER-5/16 MED SECT, ZINC	45	1	456038	BREATHER VENT
22	2	418218	LOCKWASHER-1/2 ID MED SECT, ZINC	46	1	490066	RING-INTERNAL RETAINING
23	1	431019	COUPLING-MOTOR				