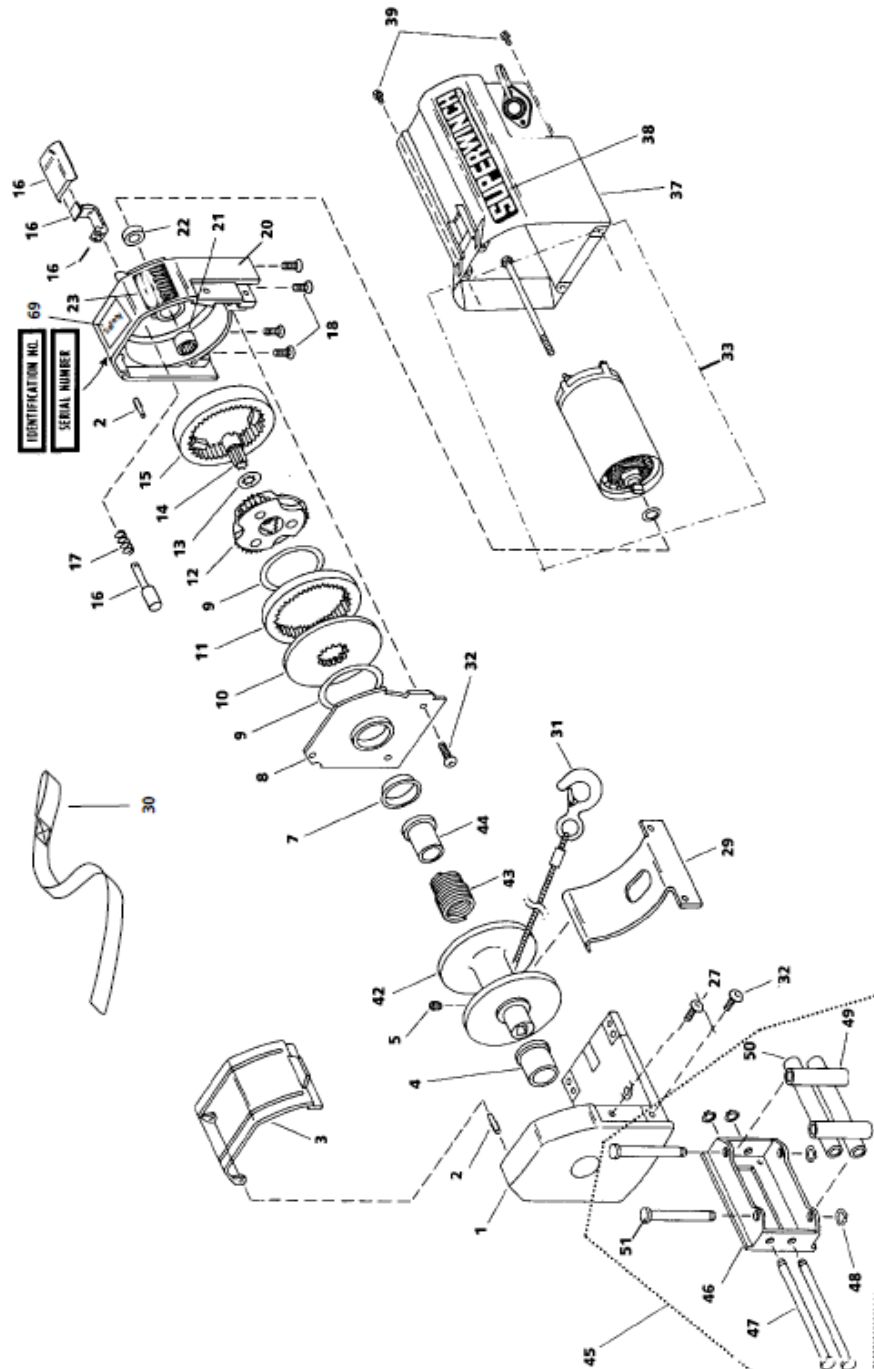


# Superwinch S3000 S4000 & S5000

## WINCH ASSEMBLY

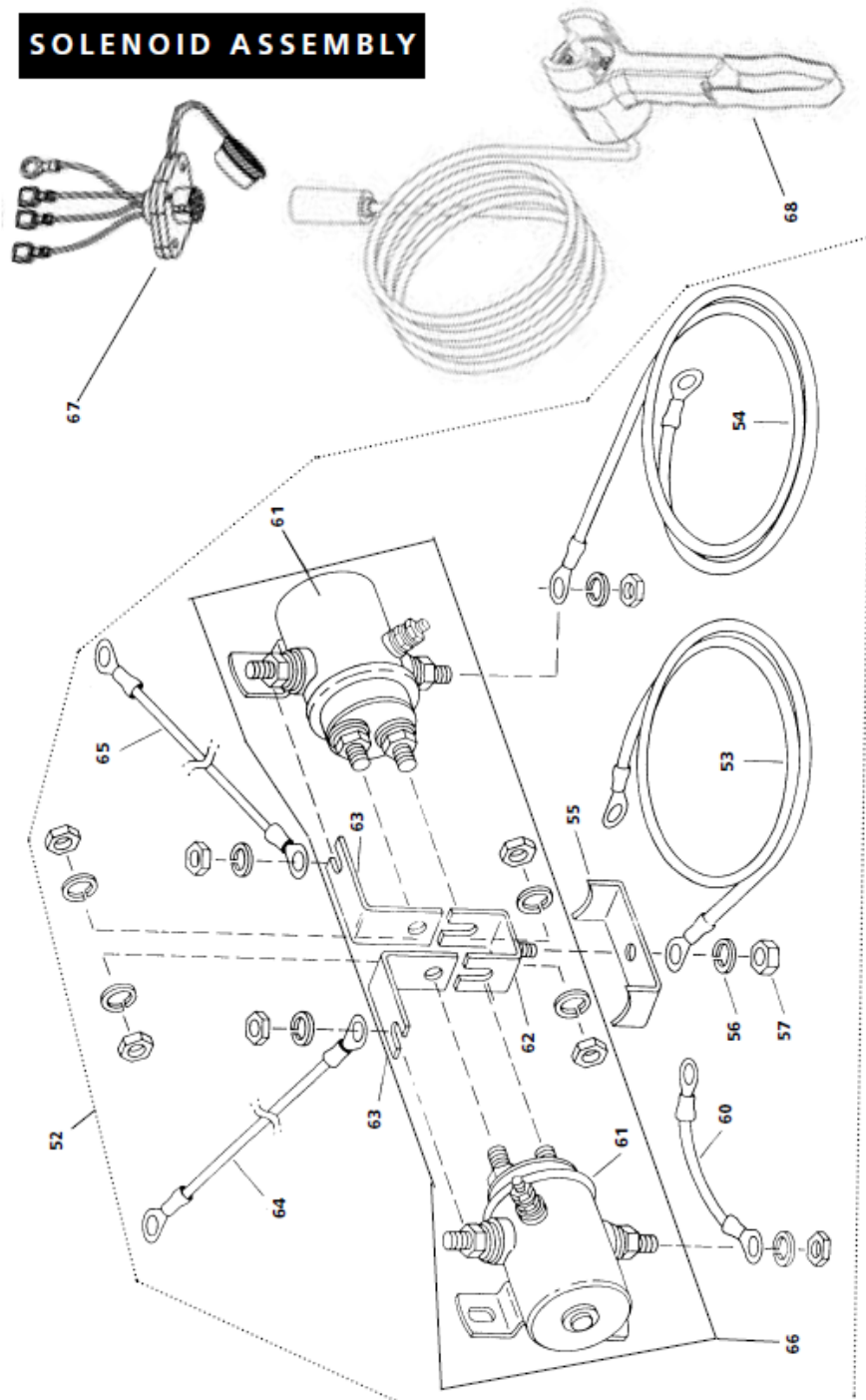


## REPLACEMENT PARTS LIST

Reference Number	Description	Part Number	Qty
1	Base	89-52021	1
2	Groove Pin	89-23303-01	2
3	Cable Guard	89-32268	1
4	Main Bearing	89-22268	1
5	M6 x 1 x 8mm Cup Pt. Set Screw	90-23164-12	1
7	Drum Bearing	89-22269	1
8	Drum Support	89-40092	1
9	Thrust Washer	90-12574	2
10	Drive Plate	89-32263	1
11	Rotating Ring Gear	89-32265	1
12	Planetary Carrier Assembly	89-22141	1
14	Sun Gear	89-33303	1
15	Stationary Ring Gear	89-32266	1
16	Free Wheel Repair Kit (Includes Shaft, Lever, Handle, and Rivet)	89-10580	1
17	Free Wheel Spring	90-23152-08	1
18	M6 x 1 x 16mm Flat Head Screw	89-22291-01	4
20	Housing Assembly (includes 21 & 22)	89-40104	1
21	Needle Bearing (.8125 x 1.125 x .750)	89-23263-03	1
22	Motor Shaft Bearing	89-12002	1
23	S5000 Logo	89-17332	1
	S4000 Logo	89-17331	1
	S3000 Logo	89-17330	1
27	M6 x 1 x 13mm Button Head Screw	89-22290-01	2
29	Cable Tension Spring	89-32295	1
30	Handsaver	87-31120	1
31	Wire Rope Assembly w/hook 1/4"x50' (S5000)	1577A	1
	Wire Rope Assembly w/hook 7/32"x60' (S4000)	1514A	1
	Wire Rope Assembly w/hook 3/16"x60' (S3000)	1511C	1
32	M6 x 1 x 16mm Button Head Screw	89-22290-02	5
33	12 Volt Complete Motor (S5000)	90-33294	1
	24 Volt Complete Motor	89-33298	1
	12 Volt Complete Motor (S4000)	90-32295	1
	24 Volt Complete Motor	89-33297	1
	12 Volt Complete Motor (S3000)	90-33276	1
	24 Volt Complete Motor	89-33296	1
37	Motor Cover	89-52024	1
38	"Superwinch" Nameplate	89-22277	1
39	M4 x 0.7 x 6mm Hex Washer Head Screw	89-22292-01	4
42	Drum	89-40085	1
43	Brake Spring	89-22342	1
44	Brake Adapter	89-22287	1
45	Roller Fairlead	89-40123	1
46	Roller Fairlead Frame	89-40113	1
47	Roller Fairlead Shaft (Long)	89-22334-02	2
48	Retainer Ring	90-23029-08	4
49	5/8 x 2.352 Roller	90-12568-04	2
50	5/8 x 4.735 Roller	90-12568-06	2
51	Roller Fairlead Shaft (Short)	89-22334-01	2

# Superwinch S3000 solenoid assembly

## SOLENOID ASSEMBLY



## REPLACEMENT PARTS LIST

Reference Number	Description	Part Number	Qty
52	12V Wired Solenoid Assembly	89-32327	1
	24V Wired Solenoid Assembly	89-32328	1
53	<b>S3000, S4000</b> 8AWG x 5' (neg.) Leadwire Assy.	89-23306-01	1
	<b>S5000</b> 2AWG x 5' (pos.) Leadwire Assembly	89-22635-34	1
54	<b>S3000, S4000</b> 8AWG x 5' (pos.) Leadwire Assy.	89-23306-04	1
	<b>S5000</b> 6AWG x 5' (neg.) Leadwire Assembly.	90-20187-06	1
55	Ground Strap	89-23356	1
56	5/16 Hel Spring Lock Washer	89-23227-08	1
57	5/16-18 Hex Nut	90-23149-07	1
60	6AWG x 3 1/2" Leadwire Assembly	90-23292-06	1
61	12V Solenoid	90-20329	2
	24V Solenoid	90-20331	2
62	Buss Bar Assembly	92-10200	1
63	Buss Bar	92-20126	2
64	<b>S3000, S4000</b> 8AWG x 9 3/8" Leadwire Assy.	89-23292-21	1
	<b>S5000</b> 6AWG x 9 3/8" Leadwire Assembly	90-20187-08	1
65	<b>S3000, S4000</b> 8AWG x 6" Leadwire Assembly	89-23306-02	1
	<b>S5000</b> 6AWG x 6" Leadwire Assembly	89-23292-19	1
66	12V Solenoid Sub-Assembly	90-32250	1
	24V Solenoid Sub-Assembly	90-32250-01	1
67	Socket Half Connector	90-25048	1
68	Remote Control Assembly	90-40270-02	1
69	Safety Label. 3/4" icon, 3 x 2	89-20330	1

## TORQUE SPECIFICATIONS

### TORQUE SPECIFICATIONS

Drum Support Plate Screws	50-60 lb in
Hawse (Roller Fairlead) Screws	45-55 lb in
Base Screws	65-75 lb in
Motor	35-40 lb in

**⚠ WARNING** Over torquing could damage your winch and void your warranty.

