



SUPERWINCH®
INDUSTRIAL

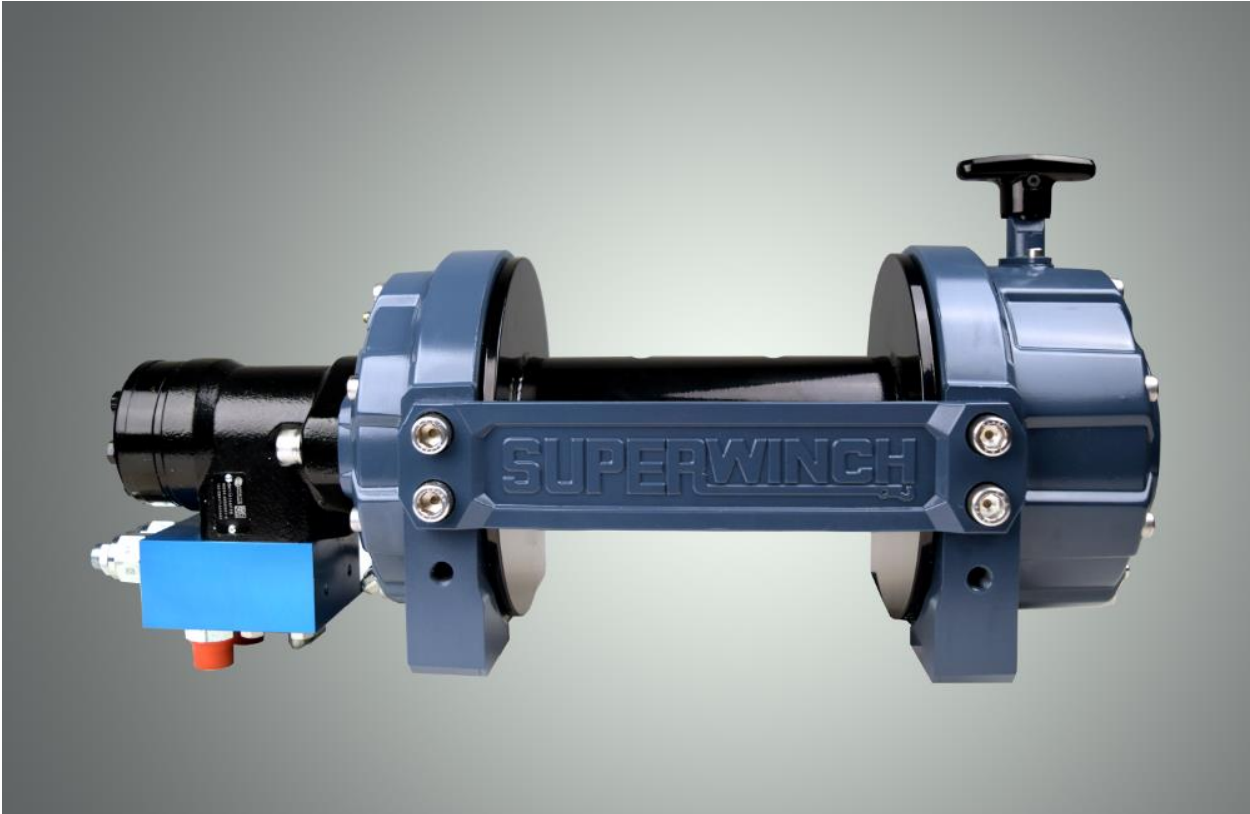
2016 New Product

**FIND
YOUR
STRENGTH**

Superwinch.com/industrial
info@superwinch.com

US (800)323-2031
UK (44)1822 614101

Introducing SI Series Hydraulic Winches



Key Specifications:

Capacity	8,000lbs (3628 kgs) 10,000lbs (4535 kgs)
Drum Width	8 inch (20cm) 10 inch (25.4 cm) 12 inch (30.48 cm)
Ratings/Certifications	SAE J706, EN14492
Clutch	Manual, Air, Gearbox Top, Gearbox End, Cable-actuated; all with 2-bolt conversion
Gearing	3-Stage Planetary
Gear Ratio	16:1
Line Speed (no load)	31.5 FPM (9.6 MPM)

Flexibility

There's no winch that can match the new Superwinch SI Series winch.

Clocking: With 22.5 degrees of clocking rotation for both the motor and gearbox, there's a position for you.

22.5 DEGREES OF ROTATION



Drum: The Drum on the SI Series is quad-drilled for rope attachment that meets SAE J706 and EN 14492 requirements for left-hand or right-hand winding. This allows users the freedom to mount the winch in the orientation that works best for the rig, not the other way around.

Clutch: With just two bolts, the SI Series can be easily converted to Pull-and-Turn, to gearbox end pull, to air clutch to cable actuated clutch. It's just that well-designed and just that easy.

Braking

With 30% more braking power over last-generation hydraulic winches, Superwinch SI line of winches comes standard with the SuperBlock™ - a load block designed as a safety back up that prevents loads from free-fall in the event of a line disruption. The dual-cartridge system is unique to Superwinch.



The SI Series winches feature 4 fixed/3 rotating disc brakes for the utmost in stopping power.

Superwinch's commitment to safety and performance is unmatched. The SI Series brake works in either direction, providing more flexibility for installation.

Production

The Superwinch SI Series is a globally sourced unit – we cherry-pick the best parts on the planet and offer final assembly in the US, UK, and China depending on needs. Our flexible design allows us to meet your needs unlike any winch company in history.



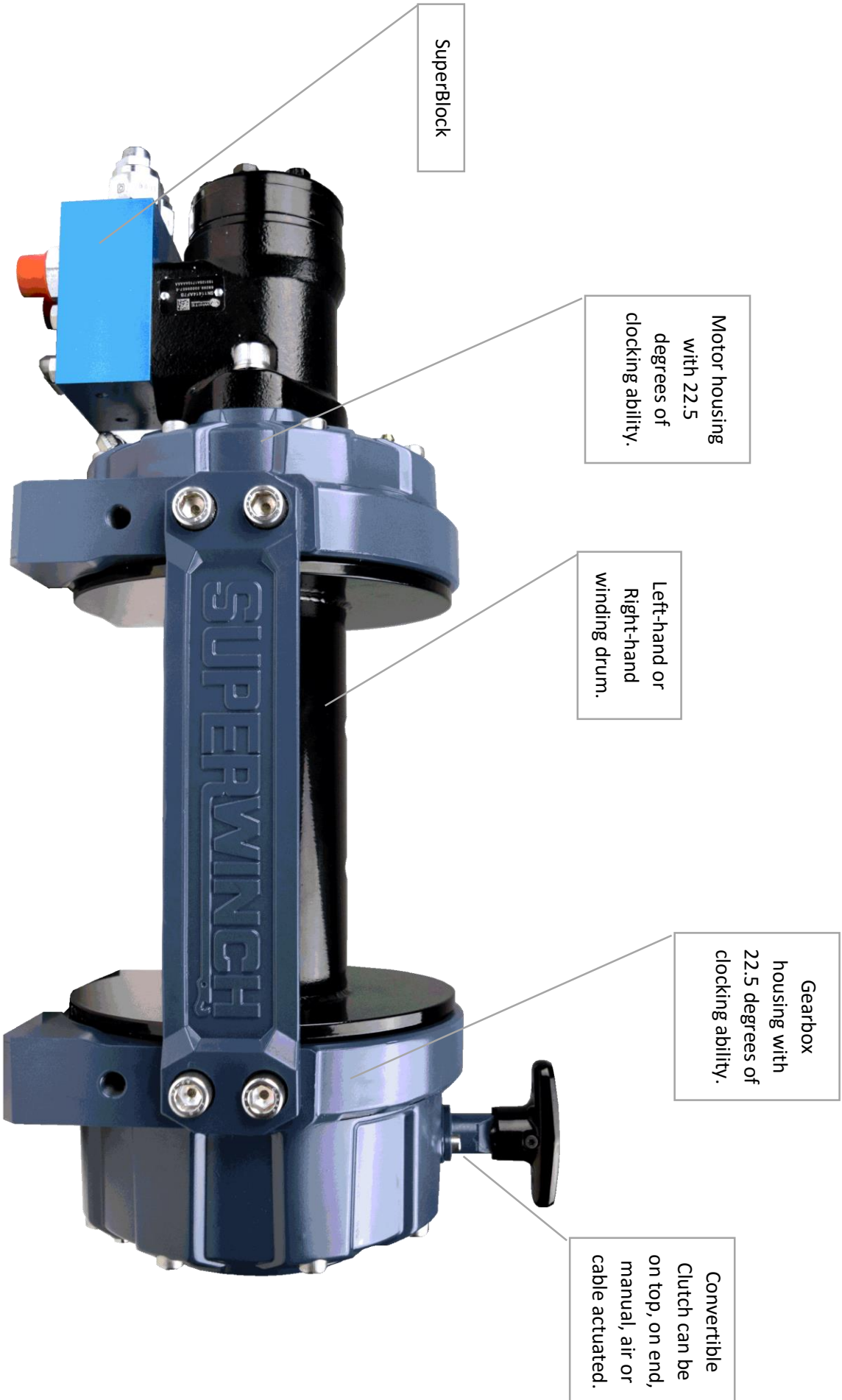
Service

A world-class winch demands world-class service and

Superwinch is upgrading industrial winch service. From fast and accurate lead times to product information via phone, web self-help, email and live chat to service parts and repair, our entire corporation is focused on your success.

Superwinch

Superwinch's 46 years of experience is unmatched in engineering, designing, building and testing winches for recreation, recovery, industrial, utility and military pursuits. Superwinch's global facilities have grown to manufacture a broad range of winches; from electric to hydraulic, worm gear to planetary gear, and lead the market in advanced winching control. Learn more at [Superwinch.com/industrial](https://www.superwinch.com/industrial).



SuperBlock

Motor housing with 22.5 degrees of clocking ability.

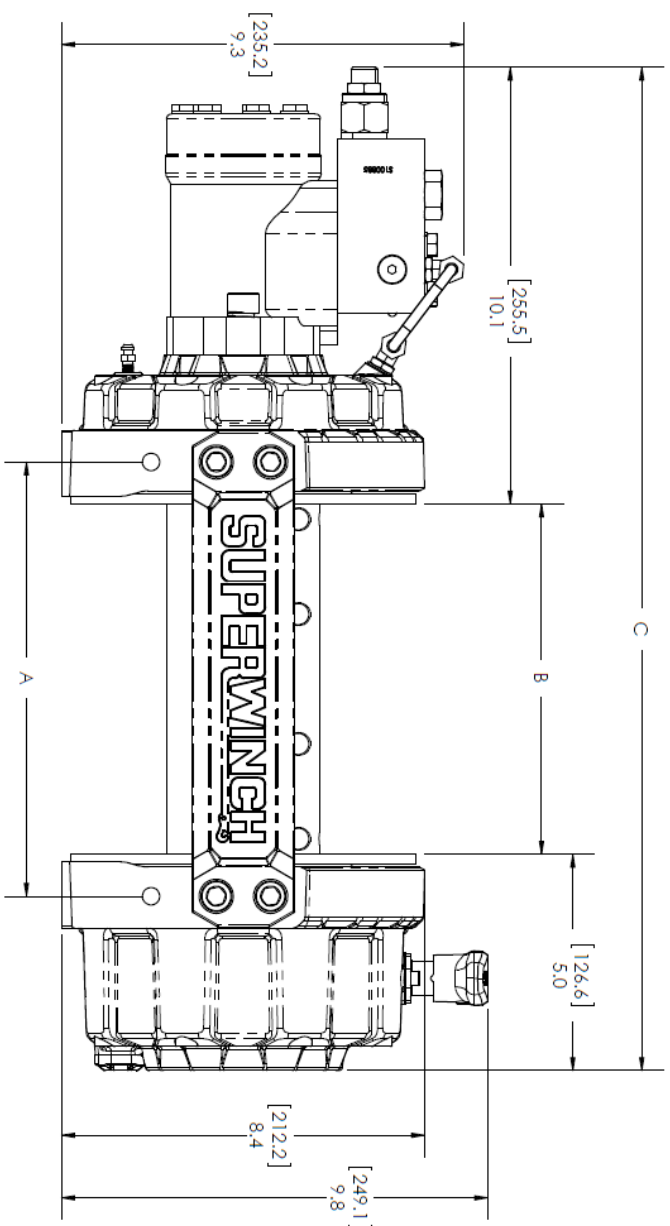
Left-hand or Right-hand winding drum.

Gearbox housing with 22.5 degrees of clocking ability.

Convertible Clutch can be on top, on end, manual, air or cable actuated.

OVERALL DIMENSIONS

Units: IN [mm]



DIMENSION TABLE

DRUM	A	B	C
SHORT	10.0 [254]	8.1 [204.9]	23.1 [587]
STANDARD	12 [304.8]	10.1 [256.5]	25.1 [637.5]
LONG	14 [355.6]	12.1 [307.3]	27.1 [688.3]

