

SUPERWINCH®**GARANTIE LIMITÉE****VALABLE A TRAVERS LE MONDE**

GARANTIE LIMITÉE. Superwinch, Inc. (le "Vendeur") garantit à l'acheteur d'origine ("vous") que toutes les pièces et composants, à l'exception du câble métallique, sont sans vice de matériaux ou de fabrication, et ce, pendant une période d'un (1) an à compter de la date d'achat prouvable. Tout produit Superwinch défectueux sera réparé ou remplacé sans dépenses de votre part si vous respectez ces procédures. Les garanties énoncées par les présentes sont exclusives tiennent lieu de toutes autres garanties expresses ou implicites.

PROCÉDURE DE RECOURS À LA GARANTIE LIMITEE.

Dès découverte d'un produit Superwinch défectueux, vous devez envoyer à Superwinch, à l'usine ou à un Centre de réparation autorisé par l'usine, une notification écrite dudit défaut et vous devez envoyer par courrier ou autre service de livraison le Superwinch défectueux, port et frais postaux payés à l'avance. Les réparations ou remplacements par le Vendeur conformément à la présente Garantie s'effectueront normalement dans les quinze (15) jours ouvrables suivant réception du Superwinch défectueux. Le Vendeur ou ses Agents autorisés peut facturer des frais raisonnables pour les pièces et la main d'oeuvre en cas de réparation non couverte par la présente Garantie limitée.

LIMITATIONS ET EXCLUSIONS EN CE QUI CONCERNE LA GARANTIE ET LES REMÈDES.

La réparation et/ou le remplacement de tout Superwinch défectueux ou de tout composant d'un tel Superwinch tel que convenu par les présentes est votre remède exclusif. Les exclusions et limitations de garanties et les limitations de REMÈDES ci-dessous seront expressément applicables :

A. Garanties expresses . Le Vendeur garantit que le Superwinch est tel qu'il est décrit dans le "Mode d'emploi Superwinch" fourni avec la présente; aucune autre garantie expresse n'est donnée en ce qui concerne le Superwinch. Si un modèle ou échantillon vous a été monté, ledit modèle ou échantillon a été utilisé à des fins d'illustration uniquement et ne sera pas considéré une garantie que le Superwinch sera conforme au modèle ou à l'échantillon. **LE VENDEUR NE DONNE AUCUNE GARANTIE EXPRESSE EN CE QUI CONCERNE LE CÂBLE MÉTALLIQUE INCORPORÉ AU PRODUIT.**

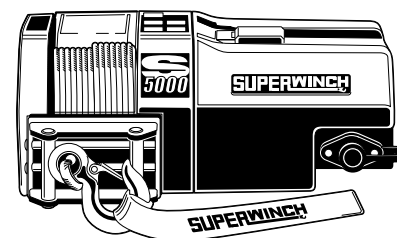
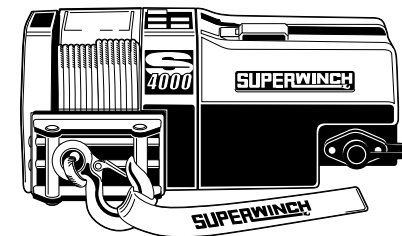
B. Garantie implicite . LA GARANTIE IMPLICITE DE L'APTITUDE À LA VENTE ET TOUTE AUTRE GARANTIE IMPLICITE S'APPLIQUERA UNIQUEMENT POUR UNE DURÉE D'UN (1) AN À COMPTER DE LA DATE D'ACHAT PROUVABLE. LE CÂBLE MÉTALLIQUE EST VENDU "TEL QUEL" SANS AUTRE GARANTIE IMPLICITE. CERTAINS ÉTATS AMÉRICAINS NE PERMETTENT PAS DE LIMITER LA DURÉE DES GARANTIES IMPLICITES; IL EST DONC POSSIBLE QUE LA LIMITATION CI-DESSUS NE S'APPLIQUE PAS À VOTRE CAS.

C. Dommages indirects. SUJET AUX OBLIGATIONS DE LA GARANTIE LIMITÉE DU VENDEUR ÉNONCÉES DANS LE PRÉSENT DOCUMENT, LE VENDEUR NE SERA AUCUNEMENT RESPONSABLE DE DOMMAGES INDIRECTS, DE QUELQUE NATURE QUE CE SOIT, NI DE DOMMAGES INDIRECTS À LA PROPRIÉTÉ, NI DE PERTES DE PROFITS, NI DE PERTES D'UTILISATION POUVANT SURVENIR À CAUSE D'UN DÉFAUT, D'UN MAUVAIS FONCTIONNEMENT OU D'UNE PANNE QUELCONQUE DU SUPERWINCH CI-JOINT. CERTAINS ÉTATS AMÉRICAINS NE PERMETTENT PAS D'EXCLURE OU DE LIMITER LES DOMMAGES INDIRECTS; IL EST DONC POSSIBLE QUE LA LIMITATION CI-DESSUS NE S'APPLIQUE PAS À VOTRE CAS.

D. Condition de la garantie. Le Vendeur ne sera pas tenu de se conformer aux obligations de garantie fournies par les présentes si la cause du défaut, du mauvais fonctionnement ou de la panne du Superwinch est un dommage (ne résultant pas de composants défectueux ou qui fonctionnent mal) ou une utilisation déraisonnable par vous. Le terme Utilisation déraisonnable comprend mais ne est pas limité au manquement à la maintenance, à l'installation et à l'utilisation raisonnables et nécessaires conformément aux consignes contenues dans le Mode d'emploi Superwinch, et à l'utilisation du Superwinch pour des charges supérieures à celle figurant dans le Mode d'emploi pour le modèle en question. La responsabilité du Vendeur sous la présente garantie ou pour toute perte du produit Superwinch ou dommage à celui-ci ne dépassera pas le coût de correction des défauts du produit Superwinch ou de remplacement de celui-ci, et lors de l'expiration de la période de garantie, toute telle responsabilité prendra fin. Les agents, distributeurs et employés du Vendeur ne sont pas autorisés à modifier la présente garantie ni à donner d'autres garanties complémentaires obligatoires pour le Vendeur. Toute déclaration supplémentaire, qu'elle soit écrite ou orale, ne constituera donc pas une garantie et ne devra pas être considérée comme valable.

REMEDES LÉGAUX DE L'ACHETEUR. Cette garantie limitée vous donne des droits légaux spécifiques et il est possible que vous ayez d'autres droits qui varient d'un état à l'autre aux Etats-Unis et d'un pays à l'autre. Vous avez également des droits de garantie implicite. En cas de problème avec le service ou la performance suivant la garantie limitée, il est possible que vous puissiez intentionner une action en justice devant la Cour des Prudhommes ("small claims court"), devant le tribunal d'état ou devant le tribunal fédéral des Etats-Unis ou dans une autre juridiction appropriée en dehors des Etats-Unis.

QUESTIONS. Toute question en ce qui concerne le respect des garanties énoncées dans les présentes doit être envoyée, par écrit, à : Superwinch, Inc., Winch Drive, Putnam, CT 06260 U.S.A. ou à Superwinch Limited, Abbey Rise, Whitchurch Road, Tavistock, Devon PL 19 9DR, England

SUPERWINCH®**OWNER'S MANUAL**

INSTALLATION • OPERATION • MAINTENANCE
SAFETY PRECAUTIONS • REPAIR PARTS

S4000 and S5000
12 & 24 Volt DC Electric Winches
With Remote Control

CAUTION

READ AND UNDERSTAND THIS MANUAL BEFORE INSTALLATION AND OPERATION OF YOUR SUPERWINCH PRODUCT.

Superwinch, Inc.
Winch Drive
Putnam, CT 06260
U.S.A.
Tel. (860) 928-7787
Fax (860) 963-0811

Superwinch, Ltd.
Abbey Rise, Whitchurch Road
Tavistock, Devon PL 19 9DR
England
Tel. (1822) 614101
Fax (1822) 615204

INTRODUCTION

Thank you for purchasing an S series winch from Superwinch. It has been designed and manufactured to provide years of trouble-free operation. We hope you will be pleased with its performance. If you are not, for any reason, please contact our Customer Service Department: (860) 928-7787 USA; (1822) 614101 England.

When requesting information or ordering replacement parts; always give the following information:

1. Winch Part Number
2. Serial Number (found on housing)
3. Part Number (found in Replacement Parts List section)
4. Part Description

Please read and understand this Owner's Manual before installing your winch. Pay particular attention to the General Safety Information. Your winch is a very powerful machine. If used unsafely or improperly, there is a possibility that property damage or personal injury could result. We have included several features in the winch to minimize this possibility; however, your safety ultimately depends on your caution when using this product.

SAFETY PRECAUTIONS

The responsibility for safe operation of this winch ultimately rests with you, the operator. Read and understand all safety precautions and operating instructions before installing and operating the winch. Careless winch operation can result in serious injury and/or property damage.

Throughout this manual, you will find notations with the following headings:

DANGER

Indicates an imminently hazardous situation which, if not avoided, will result in death or serious injury.

WARNING

Indicates a potentially hazardous situation which, if not avoided, could result in death or serious injury.

CAUTION

Indicates a potentially hazardous situation which, if not avoided, may result in minor or moderate injury. This notation is also used to alert against unsafe practices.

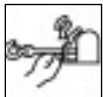
The following symbols on the product and in the Owner's manual are used:



Read Owner's Manual



Always Use Handsaver



Keep clear of winch, wire rope and hook while operating



Never use winch to lift or move people



Never use winch to hold loads in place

Note: Indicates additional information in the installation and operation procedures of your winch.

Correct installation of your winch is a requirement for proper operation.

Please Note: The Superwinch S series winch is designed primarily for intermittent duty general use. This winch is not designed to be used in industrial or hoisting applications and Superwinch does not warrant it to be suitable for such use. Superwinch manufactures a separate line of winches for industrial/commercial use. Please contact our Customer Service Department for further information.

Congratulations on your choice!

GENERAL DESCRIPTION

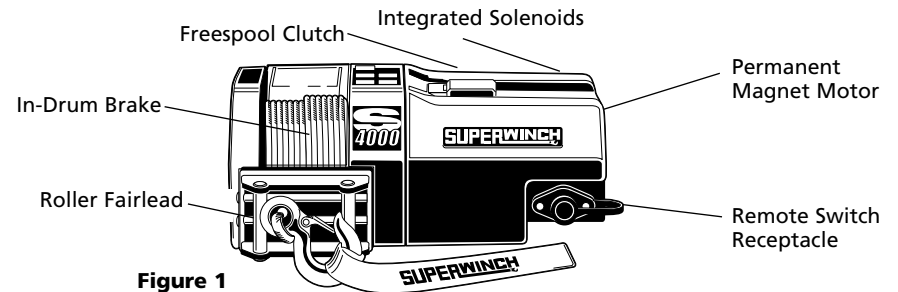


Figure 1

SPECIFICATIONS

S4000

Working Load*	4,000 lb. (1814 kg)
Wire Rope	7/32" x 60'
Motor	12V or 24VDC 1.8 hp (1.34 kW) peak
Gear Ratio	159:1

S5000

Working Load*	5,000 lb. (2268 kg)
Wire Rope	1/4" x 50'
Motor	12V or 24VDC 2.1 hp (1.57 kW) peak
Gear Ratio	159:1

* Based on first layer performance

ROLLING LOAD CAPACITIES

S4000

Slope*	10% (6°)	20% (11°)	30% (17°)	100% (45°)
Lbs.**	17,588	11,905	9,138	4,499
kg**	7,978	5,400	4,145	2,041

S5000

Slope*	10% (6°)	20% (11°)	30% (17°)	100% (45°)
Lbs.**	22,613	15,306	11,749	5,784
kg**	10,257	6,943	5,329	2,624

Ratings assume a 10% coefficient of friction.

* A 10% slope is a rise of one foot in ten feet. Slope in approximate degrees is also shown above.

** All loads shown are for single-line operation. Double-line operation with optional pulley block (see Figure 3) approximately doubles capacity of winch.

UNPACKING

This carton contains the following items. Please unpack carefully.
Read instructions before beginning.

Description	Quantity
Winch assembly with wire rope including lead wires	1
Circuit breaker assembly with hardware	1
Handsaver	1
Mounting hardware kit	1
Remote pendant	1
Owner's manual	1

DIMENSIONS

S4000, S5000

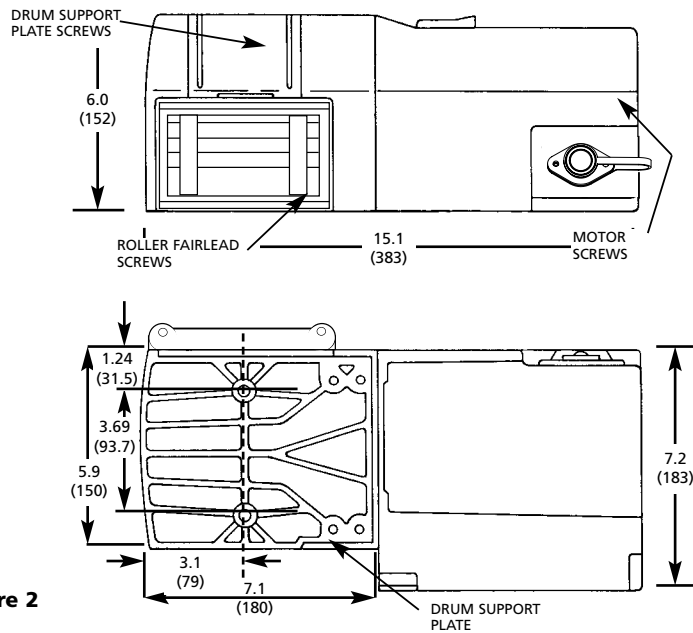


Figure 2

NOTES

- All dimensions are in inches [millimeters].
- Typical mount is to flat surface capable of handling the loads. Bolts to be Grade 5 or better.

PERFORMANCE

S4000

Wire Rope Layer	Max. Pulling Capacity lbs.	Max. Pulling Capacity kg
1	4,000	1814
2	3,000	1361
3	2,600	1179
4	2,000	907

Load lbs.	kg	Speed		Motor Current Amps
		ft/min	m/min	
0	0	21.6	6.6	30
1,000	454	16.0	4.9	90
2,000	907	12.4	3.8	155
2,500	1134	10.6	3.2	180
3,000	1361	8.8	2.7	215
3,500	1588	6.2	1.9	250
4,000	1814	4.5	1.4	311

S5000

Wire Rope Layer	Max. Pulling Capacity lbs.	Max. Pulling Capacity kg
1	5,000	2268
2	4,000	1814
3	3,500	1588
4	2,900	1315

Load lbs.	kg	Speed		Motor Current Amps
		ft/min	m/min	
0	0	17.5	5.3	36
1,000	454	14.5	4.4	80
2,000	907	12.0	3.7	135
3,000	1361	9.5	2.9	200
4,000	1814	7.3	2.2	265
5,000	2268	4.5	1.4	350

* Based on first layer performance

INTERMITTENT DUTY

An electric winch is like any other motor driven power tool such as an electric drill or saw. The electric motor should not be allowed to become excessively hot. Normal precautions will extend the life of your motor. Keep the duration of pulls as short as possible. **If the end of the motor becomes uncomfortably hot to touch, stop winching and allow the motor to cool down.**

CAUTION *If the winch motor stalls, do not continue to apply power to the winch.*

FEATURES

Electric Motor – 1.8 (S4000), 2.1 (S5000) peak hp, 1.34 (S4000), 1.57 (S5000) kW 12V or 24V Permanent Magnet.

Braking – A wrap spring brake which will hold 50% of rated load on the first wrap. Reducing by approximately 10% per layer thereafter.

Drum – Die cast aluminum running in maintenance free bearings.

Freespool Clutch – Operated by an easy action lever which disengages the gearbox to allow the wire rope to be pulled out without using electric power. A tension plate reduces backlash and snarling when pulling out the wire rope.

Remote Switch – 30' (9.14 m) handheld pendant switch assembly with toggle switch.

Mounting – Optional custom engineered mounting kits are available for vehicle frame attachment.

GENERAL SAFETY INFORMATION

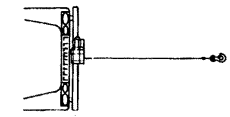
Your S series winch is a very powerful machine. Treat it with respect, use it with caution and always follow the safety guidelines.

WARNING *The wire rope may break before the winch stalls. For heavy loads, use a pulley block to reduce the load on the wire rope.*

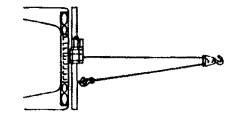
1. The S4000 and S5000 winch is rated at 4,000 and 5,000 pounds (1814 and 2268 kg) (single line) capacity on the wire rope layer closest to the drum. **DO NOT OVERLOAD. DO NOT ATTEMPT PROLONGED PULLS AT HEAVY LOADS.** Do not maintain power to the winch if the motor stalls. Overloads can damage the winch and/or the wire rope and create unsafe operating conditions. **FOR LOADS OVER $\frac{2}{3}$ RATED CAPACITY, WE RECOMMEND THE USE OF THE OPTIONAL PULLEY BLOCK TO DOUBLE LINE THE WIRE ROPE (Figures 3 & 15).** This reduces the load on the winch and the strain on the wire rope by approximately 50%. If attaching back to vehicle, attach to the frame or other load bearing part. The vehicle engine should be running during winch operation to minimize battery drain and maximize winch power and speed. If considerable winching is performed with the engine off, the battery may be too weak to restart the engine.
2. **AFTER READING AND UNDERSTANDING THIS MANUAL, LEARN TO USE YOUR WINCH.** After installing the winch, practice using it so you



will be familiar with it when the need arises.



Single Line



Double Line

Figure 3

3. **DO NOT “move” your vehicle to assist the winch in pulling the load.** The combination of the winch and vehicle pulling together could overload the wire rope and the winch.
4. **KEEP WINCHING AREA CLEAR.** Do not allow people to remain in the area during winching operations. **ALWAYS STAND CLEAR OF WIRE ROPE, HOOK AND WINCH.** IN THE UNLIKELY EVENT OF ANY COMPONENT FAILURE, IT IS BEST TO BE OUT OF HARM'S WAY.
5. **INSPECT WIRE ROPE AND EQUIPMENT FREQUENTLY.** A FRAYED WIRE ROPE WITH BROKEN STRANDS SHOULD BE REPLACED IMMEDIATELY. Always replace wire rope with the manufacturer's identical replacement part (see Replacement Parts List). Periodically check the winch installation to ensure that all bolts are tight.
6. **USE HEAVY LEATHER GLOVES** when handling wire rope. **DO NOT LET WIRE ROPE SLIDE THROUGH YOUR HANDS EVEN WHEN WEARING GLOVES.**

European Union



Noise The noise level of this winch in operation is below 92 dB(A).

Battery Isolator In order to conform to Machinery Directive 89/392/EEC, each machine installation must be fitted with an Isolator (Part Number 8370) whereby the machine can be brought safely to a complete stop.

GENERAL SAFETY INFORMATION (CONT.)

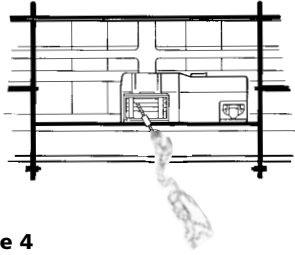


Figure 4

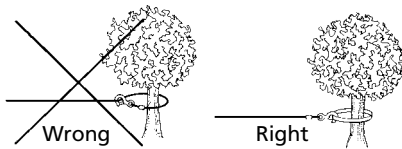


Figure 5

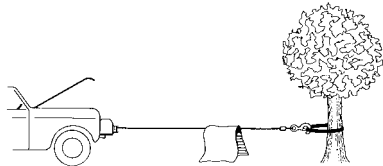


Figure 6

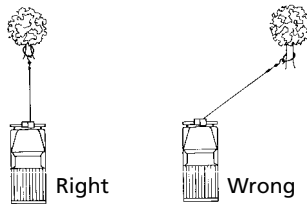
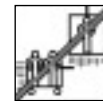


Figure 7

7. NEVER WINCH WITH LESS THAN 5 TURNS of wire rope AROUND THE WINCH DRUM since the wire rope end fastener will NOT withstand a load. ALWAYS USE THE HANDSAVER when guiding the wire rope in or out (see Figure 4).
8. KEEP CLEAR OF WINCH, TAUT WIRE ROPE AND HOOK WHEN OPERATING WINCH. Never put your finger through the hook. If your finger should become trapped in the hook, you could lose your finger. **Never guide a wire rope onto the drum with your hand.**
9. NEVER HOOK THE WIRE ROPE BACK ONTO ITSELF because you could damage the wire rope. Use a nylon sling (Figure 5).
10. It is a good idea to lay a heavy blanket or jacket over the wire rope near the hook end when pulling heavy loads (Figure 6). If a wire rope failure should occur, the cloth will act as a damper and help prevent the rope from whipping. Raise the hood of the vehicle for added protection.
11. NEVER USE YOUR WINCH FOR LIFTING OR MOVING PEOPLE.
12. Your winch is not designed or intended for overhead hoisting operations.
13. AVOID CONTINUOUS PULLS FROM EXTREME ANGLES as this will cause the wire rope to pile up at one end of the drum (Figure 7). This can jam the wire rope in the winch, causing damage to the rope or the winch.



GENERAL SAFETY INFORMATION (CONT.)

14. NEVER OBSCURE THE WARNING INSTRUCTION LABELS.
 15. Always operate winch with an unobstructed view of the winching operation.
 16. Equipment such as tackle, hooks, pulley blocks, straps, etc. should be sized to the winching task and should be periodically inspected for damage that could reduce their strength.
 17. NEVER RELEASE FREESPOOL CLUTCH WHEN THERE IS A LOAD ON THE WINCH.
 18. STORE THE REMOTE PENDANT ASSEMBLY IN A SAFE PLACE when not in use to prevent use by children or other unauthorized persons.
 19. DO NOT OPERATE WINCH WHEN UNDER THE INFLUENCE OF DRUGS, ALCOHOL OR MEDICATION.
 20. ALWAYS UNPLUG THE REMOTE PENDANT BEFORE WORKING IN OR AROUND THE FAIRLEAD OR WINCH DRUM (THE DANGER ZONE) so that the winch cannot be turned on accidentally.
 21. When moving a load, slowly take up the wire rope slack until it becomes taut. Stop, recheck all winching connections. Be sure the hook is properly seated. If a nylon sling is used, check the attachment to the load.
 22. When using your winch to move a load, place the vehicle transmission in neutral, set vehicle parking brake and chock all wheels.
 23. DO NOT USE THE WINCH TO HOLD LOADS IN PLACE. Use other means of securing loads such as tie down straps. Superwinch offers a wide variety of tie downs. Contact your local Superwinch dealer.
 24. USE ONLY FACTORY APPROVED SWITCHES, REMOTE CONTROLS AND ACCESSORIES. Use of non-factory approved components may cause injury or property damage and could void your warranty.
 25. DO NOT MACHINE OR WELD ANY PART OF THE WINCH. Such alterations may weaken the structural integrity of the winch and could void your warranty.
 26. Do not power the winch out for more than 50 feet (15.2m) or longer than 2 minutes.
- WARNING** *The drum and wire rope may get very hot (Figure 8).*
27. DO NOT CONNECT WINCH TO EITHER 110V AC HOUSE CURRENT OR 220V MAINS AS WINCH BURNOUT OR FATAL SHOCK MAY OCCUR!
 28. Never allow shock loads to be applied to winch or wire rope.
 29. Use caution when pulling or lowering a load up and down a ramp or incline. Keep people, pets and property clear of the path of the load.

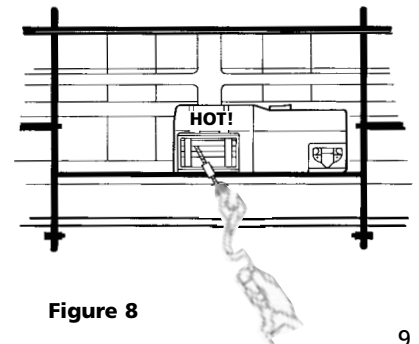


Figure 8

MOUNTING YOUR WINCH

Superwinch mounting (fitting) kits are available for most popular vehicles. If you can't locate a kit locally contact Superwinch at the address listed on the front of this manual for the name of a Superwinch dealer near you.

Detailed Mounting instructions are provided with each mounting kit. Read and follow directions carefully to ensure proper winch alignment and trouble free operation.

WARNING *This winch MUST be mounted with the wire rope in the underwind direction. Improper mounting could damage your winch and void your warranty.*

INSTALLATION

MINIMUM ELECTRICAL REQUIREMENTS

For 12 volt winches, a 60 ampere alternator and battery with 440 cold-cranking amperes capacity are the minimum recommended power sources. If the winch is in heavy use, an auxiliary battery and heavy duty alternator are recommended.

Step (1)

Install mounting kit or structural support for winch.

Step (2)

Mount the winch to the mount that you have designed.

Mounting bolts supplied are the correct length for use with up to a 1/4" (6.3mm) thick plate.

INSTALLATION CONT.

WARNING *Do not substitute any strength grade weaker than grade 5.*

When attaching wires to the motor terminals and solenoid (relay), hold the inner nut when tightening the outer nut. Do not allow the motor terminals to rotate for it may cause internal wire breakage or part misalignment. Be especially careful in preventing the solenoid (relay) terminals from rotating. Any rotation can damage the solenoid (see Figure 10).

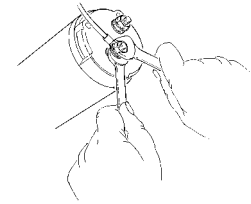


Figure 10

Step (3)

Disconnect the vehicle battery leads.

DANGER *Automobile batteries contain gasses which are flammable and explosive. Wear eye protection during installation and remove all metal jewelry. Do not lean over battery while making connections.*



Figure 11

Step (4)

Route the two (2) wires through the vehicle grille to the battery. To ensure against insulation abrasion and/or cutting, apply several layers of electrical tape where wiring may come in contact with sharp metal parts of the vehicle. Attach the circuit breaker assembly to the end of the blue terminated wire. Wrap the circuit breaker assembly with electrical tape to prevent accidental short circuits.

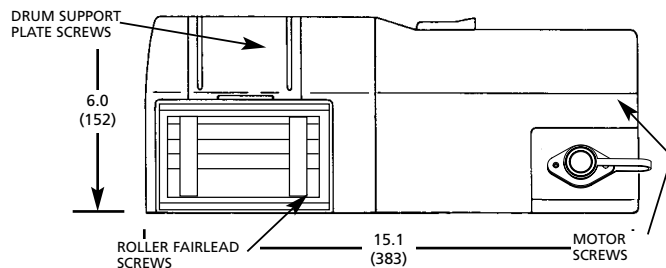
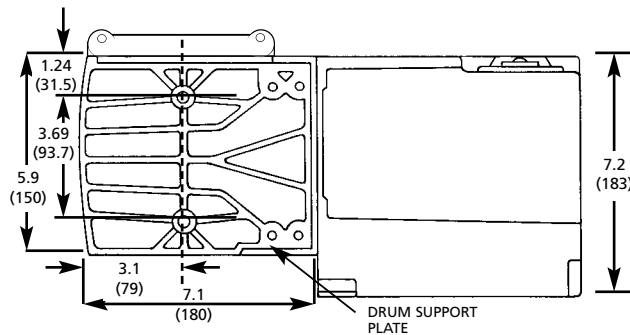


Figure 9



NOTES

1. All dimensions are in inches [millimeters].
2. Typical mount is to flat surface capable of handling the loads. Bolts to be Grade 5 or better.

INSTALLATION CONT.

Note: If you choose to locate the winch at a greater distance than the wires provided will permit, it may be necessary to purchase a larger gauge wire to get the best performance from your winch. If the total length of additional wire to be added to the system exceeds 10' (3m), use a larger wire gauge size.

Attach the circuit breaker directly to the battery positive terminal, and reattach the terminal to the battery. If your vehicle is equipped with side pole terminals, it may be necessary to obtain auxiliary side terminal bolts from your local auto parts dealer to make these connections. Connect the remaining wire to the battery negative terminal, and connect the terminal to the battery.

Step (5)

Lift the freespool clutch lever to the "Free" position. Pull several feet of wire rope off the drum. Return the clutch lever back to the "Engaged" position. Plug in the remote pendant control. Press the switch trigger to the "Rope-Out" position momentarily to check wire rope drum rotation and direction. If the drum rotates in the wrong direction, recheck your wiring. The Handheld pendant switch activates a solenoid that activates power to the winch motor. One solenoid is for "Rope Out" motor direction and the other is for the "Rope In" motor direction (Fig. 12).

CAUTION To prevent unauthorized use of the winch, remove pendant control and store in a clean dry area such as the glove box.

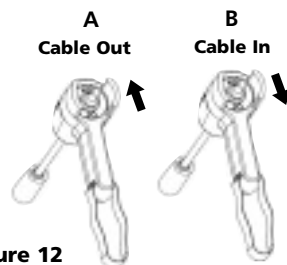


Figure 12

PENDANT OPERATION

The handheld pendant switch activates a solenoid that activates power to the winch motor. To connect the pendant control, remove the cover on the plug receptacle (Figure 13) and insert the plug end of remote switch. The plug on the pendant control cord is keyed and will fit into the socket only one way. The switch trigger returns to the "Off" position when released. To change direction, move the toggle in the other direction. (Fig.12)

CAUTION The switch assembly must be kept free of dirt and moisture to ensure safe operation.

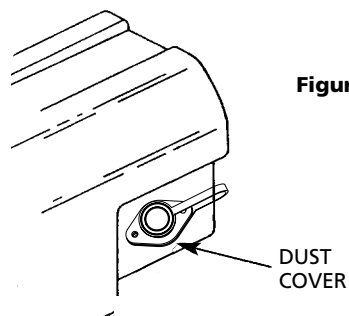


Figure 13

PULLING OUT THE WIRE ROPE

The wire rope has been installed on your winch under minimal load at the factory. The wire rope must be respooled onto the drum under load so that the outer layers will not draw down into the inner ones, thereby damaging the wire rope.

Lift the clutch lever to the "Free" position as shown in Figure 13. If there is a load on the wire rope, the clutch lever may not turn easily. **DO NOT FORCE THE CLUTCH LEVER.** Release tension on the wire rope by jogging out some of the wire rope. Releasing the clutch and pull out the wire rope and secure to anchor or load. Check that there are at least five (5) turns of wire rope left on the drum. Re-engage the drum by returning the clutch lever to the "Engaged" position (see Figure 14).

CAUTION Lever must be in the "Engaged" position and locked before winching.

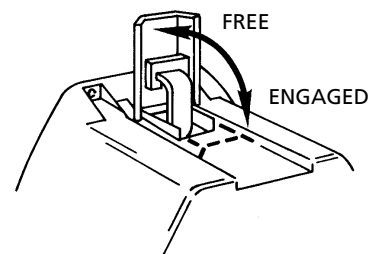


Figure 14

TIPS FOR EXTENDING THE LIFE OF YOUR WINCH

1. **KEEP THE WIRE ROPE TIGHTLY WOUND ON THE DRUM.** Do not allow the wire rope to become loosely wound. A loosely-wound spool allows a wire rope under load to work its way down into the layers of wire rope on the drum. When this happens, the wire rope may become wedged within the body of the windings damaging the wire rope. To prevent this problem, keep the wire rope tightly and evenly wound on the drum at all times. A good practice is to rewind the wire rope under tension after each use. One way to do this is to attach the hook to a stationary object at the top of a gradual incline and winch your vehicle up the incline.
2. **DO NOT ALLOW WINCH MOTOR TO OVERHEAT.** Remember, the winch is for intermittent use only. During long or heavy pulls the motor will get hot. For pulling at rated capacity, allow motor to cool after 20 seconds of "On" time. At loads less than 50% of rated capacity, allow to cool after 2 minutes of "On" time. **KEEP THE ENGINE RUNNING TO RECHARGE THE BATTERY** during this break.
3. **USE A PULLEY BLOCK FOR HEAVY LOADS.** To maximize winch and wire rope life, use a pulley block to double line heavier loads (Figure 15).



Figure 15

4. The pull required to start a load moving is often much greater than the pull required to keep it moving. **AVOID FREQUENT STOPS AND STARTS** during pull.
5. **PREVENT KINKS BEFORE THEY OCCUR.**

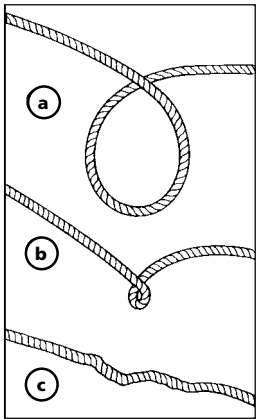
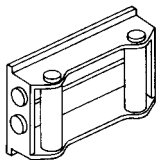


Figure 16

- a. This is the start of a kink. At this time, the wire rope should be straightened.
 - b. The wire rope was pulled and the loop has tightened to a kink. The wire rope is now permanently damaged and must be replaced.
 - c. Kinking causes the wire strands under the greatest tension to break and thus reduces the load capacity of the wire rope. The wire rope must be replaced.
6. **EQUIPPING THE WINCH WITH A ROLLER FAIRLEAD** will substantially reduce wear on the wire rope during angle pulls (Figure 17). The rollers eliminate heavy rubbing and abrasion to the wire rope.

Figure 17



MAINTENANCE AND REPAIRS

Periodically check tightness of mounting bolts and electrical connections. Remove any dirt or corrosion that may have accumulated on the electrical connections.

Repair should be done by Authorized Superwinch Repair Centers ONLY. Do not attempt to disassemble the gearbox. Disassembly will void warranty.

LUBRICATION

The gearbox and drum bearing are permanently lubricated with a high performance gear lube. If relubrication is necessary (after repair or disassembly) only use Shell Alvenia EP2 or equivalent.

REPLACING THE WIRE ROPE

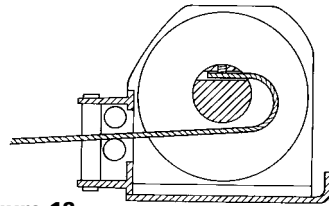


Figure 18

Never substitute a heavier or lighter wire rope. Never use rope made of any material other than wire.

Always replace damaged wire rope with manufacturer's identical replacement part (see Replacement Parts list). Pass attaching end of wire rope through the fairlead (if equipped) and attach it to the drum. When inserting the wire rope into the drum, insert it into the correct end of the hole provided (Figure 18). Tighten the set screw securely.

It is important that the wire rope be wound tightly onto the drum. A good way to do this is to attach the wire rope hook to a fixed object at the top of a slight incline, then winch the vehicle up the incline.

BRAKE OPERATION

Your S Series winch has a wrap spring brake that stops and holds loads up to 50% rated capacity on the first layer of wire rope closest to drum.

Each additional layer of wire rope reduces brake capacity approximately 10%. When powering the winch in, the brake is disengaged and does not become activated until the motor is turned off and the load tries to pull the wire rope off the drum. When the winch is powered out, as in releasing a load, the brake is engaged and the motor must over power the brake drag to rotate the drum. Therefore, it is normal for the winch to operate faster in one direction than the other. The brake is designed for the wire rope to be used in the underwind position only. **DO NOT OVERWIND.** Powering against the brake will cause heat to build up in the drum and may transfer heat to the wire rope (Figure 19). **DO NOT POWER OUT FOR MORE THAN 50 FEET (15.2m) OR 2 MINUTES.**

⚠ WARNING *The drum and wire rope may get very hot.*

When wire rope is removed from the drum, as in bringing the hook to the load, the freewheel feature of the winch should be used.

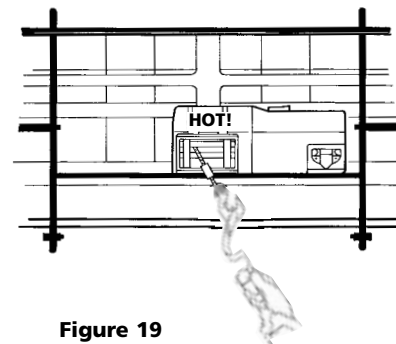
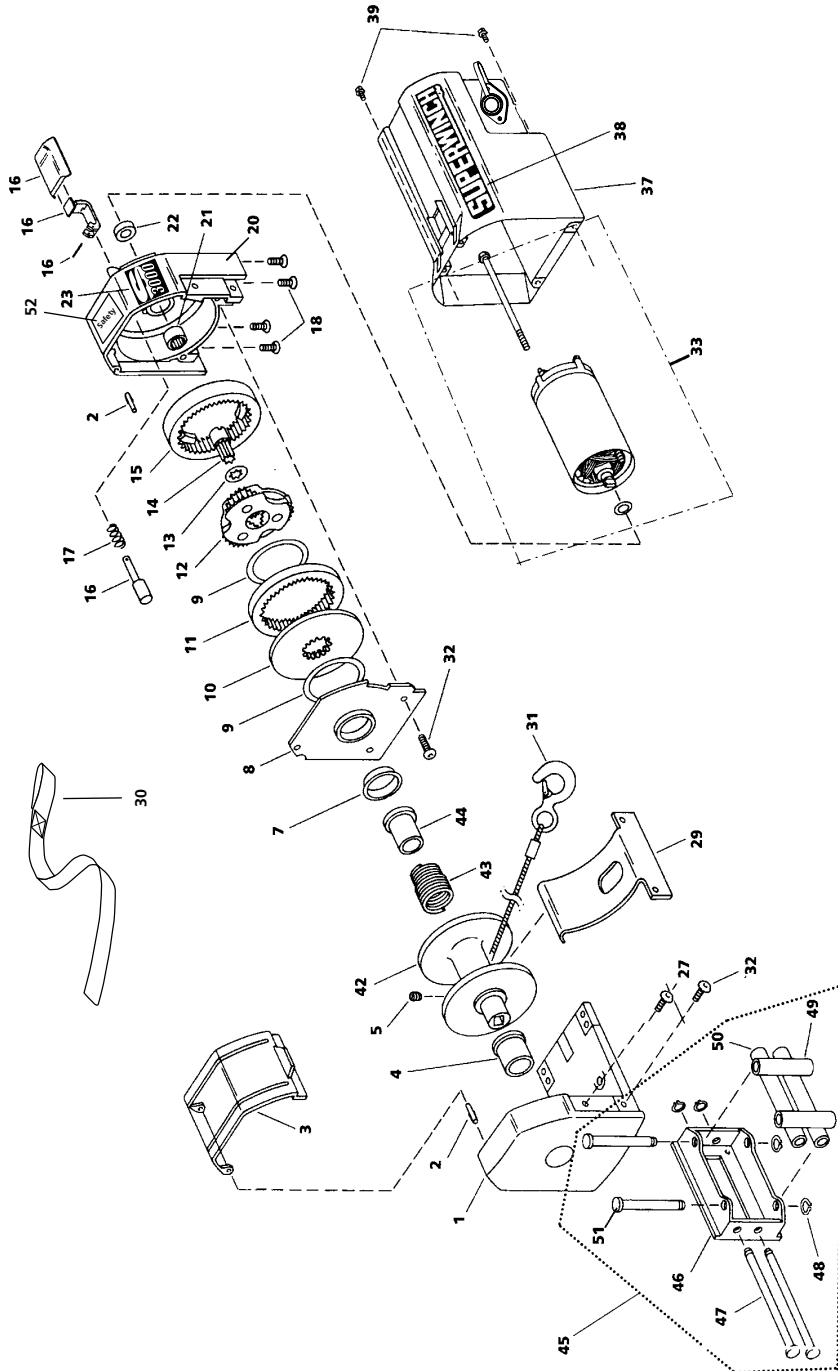


Figure 19

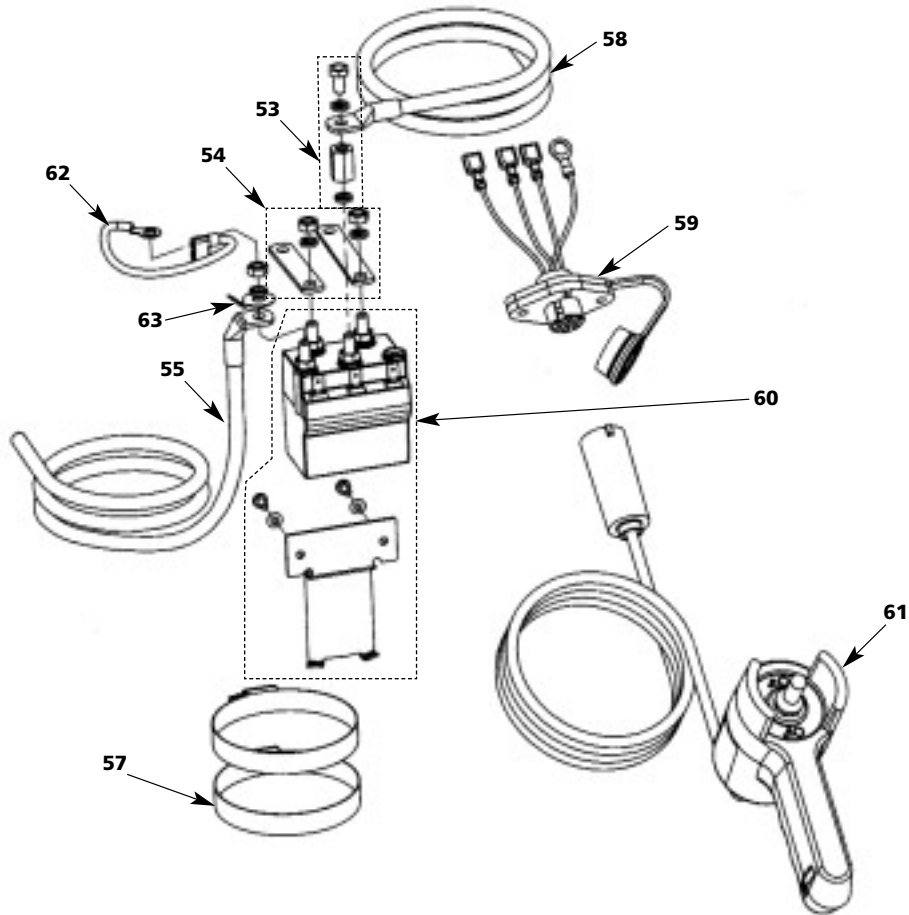
WINCH ASSEMBLY



REPLACEMENT PARTS LIST

Reference Number	Description	Part Number	Qty
1	Base	89-52021	1
2	Groove Pin	89-23303-01	2
3	Cable Guard	89-32268	1
4	Main Bearing	89-22268	1
5	M6 x 1 x 8mm Cup Pt. Set Screw	90-23164-12	1
7	Drum Bearing	89-22269	1
8	Drum Support	89-40092	1
9	Thrust Washer	90-12574	2
10	Drive Plate	89-32263	1
11	Rotating Ring Gear	89-32265	1
12	Planetary Carrier Assembly	89-22141	1
14	Sun Gear	89-33303	1
15	Stationary Ring Gear	89-32266	1
16	Free Wheel Repair Kit (Includes Shaft, Lever, Handle, and Rivet)	89-10580	1
17	Free Wheel Spring	90-23152-08	1
18	M6 x 1 x 16mm Flat Head Screw	89-22291-01	4
20	Housing Assembly (includes 21 & 22)	89-40104	1
21	Needle Bearing (.8125 x 1.125 x .750)	89-23263-03	1
22	Motor Shaft Bearing	89-12002	1
23	S5000 Logo	89-17332	1
	S4000 Logo	89-17331	1
27	M6 x 1 x 13mm Button Head Screw	89-22290-01	2
29	Cable Tension Spring	89-32295	1
30	Handsaver	87-31120	1
31	Wire Rope Assembly w/hook 1/4"x50' (S5000)	1577A	1
	Wire Rope Assembly w/hook 7/32"x60' (S4000)	1514A	1
32	M6 x 1 x 16mm Button Head Screw	89-22290-02	5
33	12 Volt Complete Motor (S5000)	90-33294	1
	24 Volt Complete Motor	89-33298	1
	12 Volt Complete Motor (S4000)	90-33295	1
	24 Volt Complete Motor	90-33318	1
37	Motor Cover	89-52024	1
38	"Superwinch" Nameplate	89-22277	1
39	M4 x 0.7 x 6mm Hex Washer Head Screw	89-22292-01	4
42	Drum	89-40085	1
43	Brake Spring	89-22342	1
44	Brake Adapter	89-22287	1
45	Roller Fairlead	89-40123	1
46	Roller Fairlead Frame	89-40113	1
47	Roller Fairlead Shaft (Long)	89-22334-02	2
48	Retainer Ring	90-23029-08	4
49	5/8 x 2.352 Roller	90-12568-04	2
50	5/8 x 4.735 Roller	90-12568-06	2
51	Roller Fairlead Shaft (Short)	89-22334-01	2
52	Safety Label	89-20330	1

SOLENOID ASSEMBLY



REPLACEMENT PARTS LIST

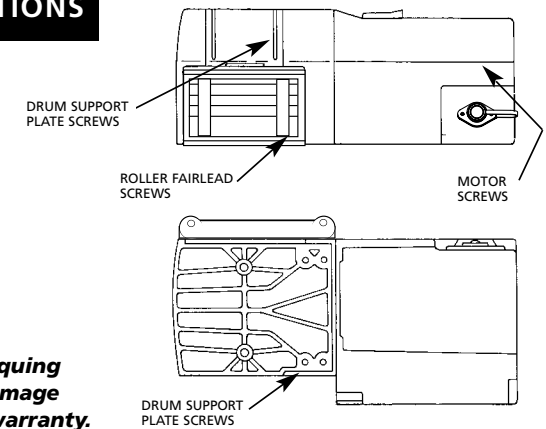
Reference Number	Description	Part Number	Qty
53	Leadwire spacer kit	89-24430	1
54	Buss bar kit	89-24431	1
55	Black 2 gage wire (-), S5000 12V	89-22635-61	1
	Black 6 gage wire (-), S4000, S5000 24V	89-23292-38	1
57	Band clamp	89-14459	2
58	Red 2 gage wire (+), S5000 12V	89-22635-60	1
	Red 6 gage wire (+), S4000, S5000 24V	89-23292-37	1
59	Socket	90-14140	1
60	Type 6 solenoid with bracket, 12V	89-24429	1
	Type 6 solenoid with bracket, 24V	89-24467	1
61	Handheld remote control	90-33450-02	1
62	Ground jumper wire 18 gage	89-23283	1
63	Terminal adapter	89-14458	1

TORQUE SPECIFICATIONS

TORQUE SPECIFICATIONS

Drum Support Plate Screws	50-60 lb in
Hawse (Roller Fairlead) Screws	45-55 lb in
Base Screws	65-75 lb in
Motor	35-40 lb in

⚠ WARNING *Over torquing could damage your winch and void your warranty.*



TROUBLESHOOTING CHART

If a problem arises, contact your nearest Superwinch dealer or repair center.

Symptom	Possible Cause(s)	Corrective Action
Motor will not operate or runs in one direction only	<ol style="list-style-type: none"> Damaged or stuck solenoid Switch inoperative Broken wires or bad connection Damaged motor Solenoids not grounded 	<ol style="list-style-type: none"> CAUTION Disengage clutch before performing this test to prevent powering the wire rope drum. If a solenoid sticks once, it is likely to stick again and must be replaced immediately. Tap solenoid to free stuck contacts. Check by applying voltage to the small solenoid terminal. Be sure solenoid is grounded back to source. A solenoid that is not stuck will make an audible "click" when first energized. Replace switch Check for poor connections: CAUTION Always use 2 wrenches (spanners) (see Fig. 11) Replace or repair motor Check the ground path between battery negative and solenoid base
Winch will not shut off	<ol style="list-style-type: none"> Solenoid stuck "On" 	<ol style="list-style-type: none"> If a solenoid sticks on, reverse direction and hold trigger switch until the power lead can be disconnected. A safety disconnect switch is available as an accessory
Motor runs extremely hot	<ol style="list-style-type: none"> Long period of operation Damaged motor Damaged brake 	<ol style="list-style-type: none"> Allow to cool Replace or repair motor Replace or repair brake
Motor runs but with insufficient power or line speed	<ol style="list-style-type: none"> Weak battery Battery to winch wire too long Poor battery connection Poor ground Damaged brake 	<ol style="list-style-type: none"> Recharge or replace battery. Check charging system Use larger diameter wire Check battery terminals for corrosion. Clean as required Check and clean connections Repair or replace brake
Motor runs but drum doesn't turn	<ol style="list-style-type: none"> Clutch not engaged 	<ol style="list-style-type: none"> Engage clutch
Winch runs backwards	<ol style="list-style-type: none"> Motor wires reversed Solenoids wired incorrectly 	<ol style="list-style-type: none"> Recheck wiring Recheck wiring
Winch will not hold load	<ol style="list-style-type: none"> Excessive load Worn or damaged brake 	<ol style="list-style-type: none"> Reduce load or double line Repair or replace brake

SUPERWINCH™

WARRANTY REPAIR CENTERS

USA

Superwinch Inc.
Winch Drive
Putnam, CT 06260
phone: 860-928-7787
repair@superwinch.com
Electric Motor Repair
2010 North 4th Street
Minneapolis, MN 55411
phone: 612-588-4693

Berens & Associates
124 Hegenberger Loop
Oakland, CA 94621
phone: 800-540-2858
berens94621@yahoo.com

Zorko's Alternator Service
241 Wells Road
Home, PA 15747
phone: 800-468-5055
zasapw@microserve.net

Electric Motors of Iowa City
50 Commercial Court
Iowa City, IA 52246
phone: 319-354-4040
emic4040@aol.com

CANADA

Demand Electric
228-39th St. N.E.
Calgary, AB T2E 2M5
403-230-2709

Harold Supply
3 Southerland Ave.
Sudbury, Ont. P3C 3A7
705-761-4455

Explora Industries Ltd.
9605-5th Ave.
Edmonton, AB T6E 0B2
780-430-8591

Dayworth Sales
1 Saunders Rd. Unit 2
Barrie, Ont. 9A7 9A7
705-726-7778

Les Equipment Twin
10401 Parkway Blvd.
Ville D'Anjou, PQ H1J 1R4
514-353-1190

Buffalo Industries
251-253 Princess Street
Winnipeg, Manitoba R2C 1M1
204-942-1951

Power Plus Tool Repair
57 Millenium Ave.
Moncton, NB E1E 2G2
560-855-8665

Muskoka Auto Parts
11 King William St.
Huntsville, Ont. P1H 2K8
705-789-2321

Lou Dennis Auto
Hiway 11 South
Sundridge, Ont. P0A 1Z0
705-384-5345

Outdoors Plus
128 Regional St.
P.O. Box 1349
Port Aux Basques, NF A0M 1C0
709-695-7533

Bobcaygeon Auto and Marine
91 Main St.
Bobcaygeon, Ont. K0M 1A0
705-738-2317

MAP Bracebridge
19 Taylor Rd.
Bracebridge, Ont. P1L 1W3
705-645-8785

MAP Fenelon Falls
165 Lindsay St.
Fenelon Falls, Ont. K0M 1N0
705-887-6232

Central Electric Motor Rewind
#1-1960 Windsor Rd.
Kelowna, NC V1Y 2Y3
250-860-4415
jnelsoncentral@netscape.net

Delta Tool Repair Limited
114-7533, 135th St.
Surrey, BC V3W 0N6
604-591-3230

Ted's Power Tool Repair
426-44th St. East
Saskatoon, SK S7K 0W1
306-934-6155

Bob's Electric Truck Service
845-B Macdonald Ave.
Regina, SK S4N 2X5
306-721-4148

Off Road Canada
251-12th St. "B" North
Lethbridge, AB T1H 2K8
403-327-7722

Gary's Starter & Alternator
P.O.Box 7 Site 4
RR 1 Mount Uniacke B0N 1Z0
Contact: Gary Thorne
902-757-2388

Power Blitz Mftg. & Maintenance
577 Edgeley Blvd. Unit 6
Concord, Ont. L4K 4B2
905-669-8209
ali@powerblitz.com

Bruce's Recreation
92 Balbo Dr.
Shoal Harbour Nfld A5A 4A8
709-466-3355

Atlantic Recreation & Marine
5 School St.
Sydney, Nova Scotia
B1S 3G1
902-567-1697
sbidart@thearm.ca

UNITED KINGDOM

Superwinch, LTD
Abbey Rise, Whitchurch road
Tavistock, Devon PL19 9DR
+44 (0) 1822 614101

WORLDWIDE Contact your Local Superwinch Distributor or call Superwinch.

SUPERWINCH®**LIMITED WARRANTY****VALID WORLDWIDE****LIMITED WARRANTY**

Superwinch Inc. ("Seller") warrants to the original buyer ("YOU") all parts and components except wire rope to be free of defects in materials and workmanship for a period of ONE (1) year from provable date of purchase. Any Superwinch product which is defective will be repaired or replaced without charge to you, upon compliance with these procedures. The warranties set forth herein are exclusive and in lieu of all other warranties, whether oral or written, express or implied.

LIMITED WARRANTY PERFORMANCE PROCEDURE

Upon discovery of a defective Superwinch product, you shall mail to the Seller at his factory or to any Factory Authorized Service Center written notice of such defect and mail, ship or otherwise deliver the defective Superwinch, postage or shipping prepaid. Repairs or replacements by Seller under this Limited Warranty will normally be accomplished within fifteen (15) business days after receipt of the defective Superwinch. Seller or its Authorized Agents may make reasonable charges for parts and labor for repairs not covered by this Limited Warranty.

WARRANTY AND REMEDY LIMITATIONS AND EXCLUSIONS

Repair and/or replacement of the defective Superwinch or component part thereof as provided herein is the exclusive remedy for you. The following exclusions or limitations of warranties and limitations of remedies shall be expressly applicable:

A. Express Warranties. Seller Warrants that the Superwinch is as described in the "Superwinch Owner's Manual" provided herewith; no other express warranty is made in respect to the Superwinch. If any model or sample was shown to you, such model or sample was used for illustrative purposes only, and shall not be construed as a warranty that the Superwinch will conform to the sample or model. SELLER MAKES NO EXPRESS WARRANTY WITH RESPECT TO THE WIRE ROPE INCORPORATED IN THE PRODUCT.

B. Implied Warranty. The implied warranty of merchantability and all other implied warranties shall only extend from the provable date of purchase for one (1) year. The wire rope is sold "as is," without any implied warranties. Some states within the U.S.A. do not allow limitations on how long an implied warranty lasts, so the above limitation may not apply to you.

C. Incidental and Consequential Damages. SUBJECT TO THE SELLER'S LIMITED WARRANTY OBLIGATIONS SET FORTH HEREIN, SELLER SHALL NOT BE RESPONSIBLE FOR INCIDENTAL DAMAGES OF ANY KIND, OR FOR CONSEQUENTIAL DAMAGES TO PROPERTY, LOSS OF PROFITS AND LOSS OF USE WHICH MAY BE CAUSED BY ANY DEFECT IN, OR MALFUNCTION, OR FAILURE OF THE ENCLOSED SUPERWINCH. SOME STATES WITHIN THE USA DO NOT ALLOW THE EXCLUSION OR LIMITATION OF INCIDENTAL OR CONSEQUENTIAL DAMAGES, SO THE ABOVE LIMITATION OR EXCLUSION MAY NOT APPLY TO YOU.

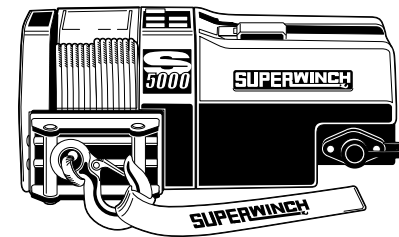
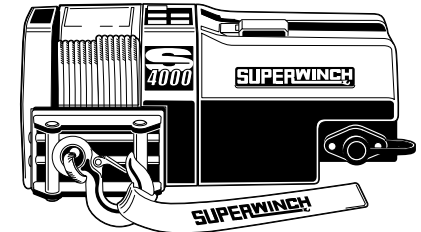
D. Condition of Warranty. Seller shall not be required to comply with its warranty duties provided herein if the defect, malfunction, or failure of the Superwinch was caused by damage (not resulting from defective or malfunctioning components) or unreasonable use by you. Unreasonable use shall include, but not be limited to, the failure to provide reasonable and necessary maintenance or installation or use of the Superwinch without compliance with the instructions contained in the Superwinch Owner's Manual, and subjecting the Superwinch to loads in excess of the load listed in the Owner's Manual for the particular model number. Seller's liability under this warranty or for any loss or damage to the Superwinch product shall not exceed the cost of correcting the defects in or replacing the Superwinch product, and upon expiration of the warranty period, all such liability shall terminate. The agents, dealers and employees of the Seller are not authorized to make modifications to this warranty, or additional warranties binding on the Seller. Accordingly, additional statements, whether oral or written, do not constitute warranties and should not be relied upon.

LEGAL REMEDIES OF BUYER

This Limited Warranty gives you specific legal rights, and you may also have other rights which may vary from state to state within the USA and from country to country. You also have implied warranty rights. In the event of a problem with Limited Warranty service or performance, you may be able to go to small claims court, a state court, or federal district court in the USA or to appropriate jurisdictions outside the USA.

INQUIRIES

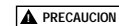
Any inquiries regarding compliance with warranties provided herein may be addressed in writing to: Superwinch Inc., Winch Drive, Putnam, CT 06260, USA or to: Superwinch Ltd., Abbey Rise, Whitchurch Road, Tavistock, Devon PL 19 9DR, England.

SUPERWINCH®**MANUAL DEL PROPIETARIO**

INSTALACIÓN • OPERACIÓN • MANTENIMIENTO
PRECAUCIONES DE SEGURIDAD • PIEZAS DE REPUESTO

S4000 y S5000

**Cabrestantes Eléctrico de 12 y 24 Volts CD
Con control remoto**



**LEA Y ENTIENDA ESTE MANUAL ANTES
DE INSTALAR Y OPERAR SU PRODUCTO SUPERWINCH**

Superwinch, Inc.
Winch Drive
Putnam, CT 06260
U.S.A.
Tel. (860) 928-7787
Fax (860) 963-0811

Superwinch, Ltd.
Abbey Rise, Whitchurch Road
Tavistock, Devon PL 19 9DR
England
Tel. (1822) 614101
Fax (1822) 615204

INTRODUCCIÓN

Gracias por comprar un cabrestante Serie S de Superwinch. Éste ha sido diseñado y fabricado para proporcionar años de operación sin problemas. Esperamos que esté satisfecho con su rendimiento. Si no lo está por cualquier motivo, por favor comuníquese con nuestro Departamento de Servicio al Cliente al: (860) 928-7787 en E.U.A.; (1822) 614101 en Inglaterra.

Cuando solicite información o piezas de refacción, siempre dé la siguiente información:

1. Número de Pieza del cabrestante
2. Número de Serie (se encuentra en la carcasa)
3. Número de Pieza (se encuentra en la lista de piezas de este manual)
4. Descripción de la pieza

Por favor lea y entienda este manual del propietario antes de instalar su cabrestante. Ponga particular atención a la Información General de Seguridad. Su es una máquina mu poderosa. Si se usa sin precaución o inadecuadamente existe la posibilidad de causar daños a la propiedad o lesiones personales. Hemos incluido varias características en el malacate para reducir esta posibilidad. No obstante, su seguridad depende en última instancia en su pre caución al usar este producto.

PRECAUCIONES DE SEGURIDAD

La responsabilidad de la operación segura de este cabrestante reside en última instancia en usted, el operador. Lea y entienda todas las precauciones de seguridad e instrucciones de uso antes de instalar y de utilizar el cabrestante. Si se lo utiliza sin precaución, podría ocasionar lesiones graves y/o daños materiales.

En este manual, encontrará notas con los títulos siguientes:

▲ PELIGRO Indica una situación de peligro inminente que, de no evitarse, dará como resultado muerte o lesiones graves.

▲ ADVERTENCIA Indica una situación de peligro potencial que, de no evitarse, podría dar como resultado muerte o lesiones graves.

▲ PRECAUCION Indica una situación de peligro potencial que, de no evitarse, puededar como resultado lesiones leves o moderadas. Esta nota se utiliza también para alertarle sobre prácticas inseguras.

Se usan los siguientes símbolos en el producto y en el Manual del Propietario:



Leer el Manual del Propietario



Siempre use la barra protectora para manos



Manténgase alejado del cabrestante, el cable de alambre y el gancho durante la operación



Nunca use el cabrestante para levantar o mover personas



Nunca use el cabrestante para sostener cargas

Nota: Indica información adicional en los procedimientos de instalación y operación de su cabrestante.

La instalación correcta de su cabrestante es un requisito para su operación correcta. Si piensa instalar su cabrestante en el extremo delantero de su vehículo, use el juego de montaje (adaptación) que ha sido diseñado y manufacturado por Superwinch para recibir su malacate y adaptarse a su vehículo.

Por favor tome nota: El cabrestante Serie S de Superwinch está diseñado esencialmente para uso general intermitente. Este cabrestante no está diseñado para usarse en aplicaciones industriales ni de grúa ni Superwinch garantiza que sea idóneo para tal uso. Superwinch fabrica una línea separada de cabrestantes para uso industrial y comercial. Para mayor información, por favor comuníquese con nuestro Departamento de Servicio al Cliente.

¡Felicidades por su elección!

DESCRIPCIÓN GENERAL

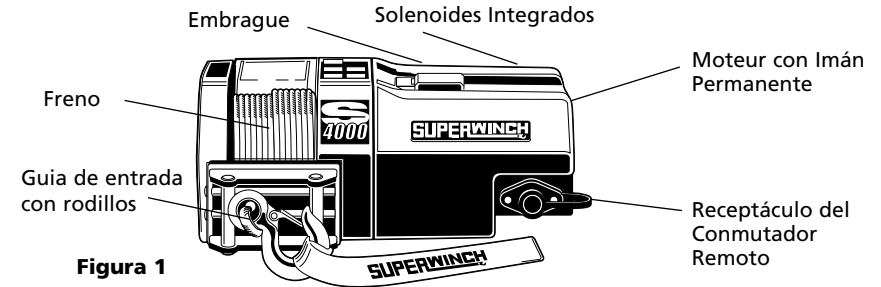


Figura 1

SPECIFICATIONS

S4000

Carga de trabajo* 4,000 lb. (1814 kg)
 Cable de alambre 7/32" x 60'
 Motor 12V or 24VDC 1.8 hp (1.34 kW) peak
 Relación de engranes 159:1

S5000

Carga de trabajo* 5,000 lb. (2268 kg)
 Cable de alambre 1/4" x 50'
 Motor 12V or 24VDC 2.1 hp (1.57 kW) peak
 Relación de engranes 159:1

*Basado en el rendimiento de la primera capa

CAPACIDADES DE CARGA RODANTE

S4000

Slope*	10% (6°)	20% (11°)	30% (17°)	100% (45°)
Lbs.**	17,588	11,905	9,138	4,499
kg**	7,978	5,400	4,145	2,041

S5000

Slope*	10% (6°)	20% (11°)	30% (17°)	100% (45°)
Lbs.**	22,613	15,306	11,749	5,784
kg**	10,257	6,943	5,329	2,624

Las especificaciones asumen un 10% de coeficiente de fricción.

* Una pendiente de 10% es una elevación de 30.48 cm en 3.048 m (1 ft en 10 ft). Arriba se muestra una pendiente en grados aproximados.

** Todas las cargas mostradas son para operación de línea sencilla. La operación de línea doble con el bloque de poleas opcional duplica aproximadamente la capacidad del cabrestante.

DISEMPACADO

Esta caja contiene los siguientes artículos. Por favor desempáquelos cuidadosamente. Lea las instrucciones antes de comenzar.

Descripción	Cantidad
Embrague de Carrete Libre	1
Solenoides Integrados	1
Motor de Imán Permanente	1
Receptáculo del interruptor Remoto	1
Freno de Tambor Interno	1
Manual del propietario	1

DIMENSIONES

S4000, S5000

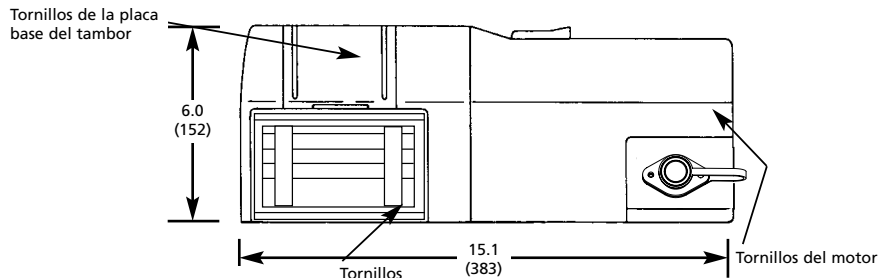
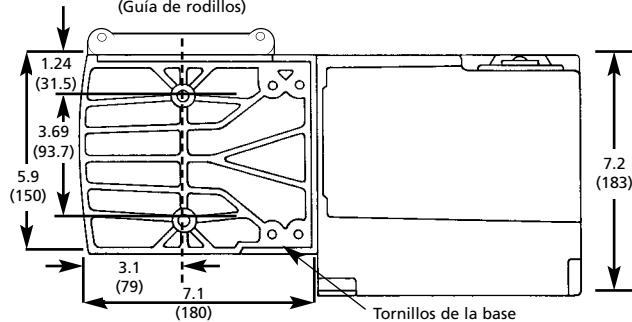


Figura 2



NOTAS:

1. Todas las dimensiones están en pulgadas [milímetros].
2. La instalación típica se realiza sobre una superficie plana capaz de soportar las cargas. Los pernos deben ser Grado 5 o mejores.

RENDIMIENTO

S4000

Capa del Cable	Capacidad Máxima de Tiro	
	lbs.	kg
1	4,000	1814
2	3,000	1361
3	2,600	1179
4	2,000	907

Carga	Velocidad				Corriente del Motor
	lbs.	kg	pies/min	m/min	
0	0	0	21.6	6.6	30
1,000	454	16.0	4.9	90	
2,000	907	12.4	3.8	155	
2,500	1134	10.6	3.2	180	
3,000	1361	8.8	2.7	215	
3,500	1588	6.2	1.9	250	
4,000	1814	4.5	1.4	311	

S5000

Capa del Cable	Capacidad Máxima de Tiro	
	lbs.	kg
1	5,000	2268
2	4,000	1814
3	3,500	1588
4	2,900	1315

Carga	Velocidad				Corriente del Motor
	lbs.	kg	pies/min	m/min	
0	0	17.5	5.3	36	
1,000	454	14.5	4.4	80	
2,000	907	12.0	3.7	135	
3,000	1361	9.5	2.9	200	
4,000	1814	7.3	2.2	265	
5,000	2268	4.5	1.4	350	

*Basado en el rendimiento de la primera capa

SERVICIO INTERMITENTE

Un cualquier otra herramienta motorizada, como por ejemplo un taladro o una sierra eléctrica. No se debe permitir que el motor eléctrico se caliente excesivamente. Las precauciones normales extenderán la vida de su motor. Mantenga la duración de los tiros tan breve como sea posible. **Si el extremo del motor se calienta de modo que resulte incómodo tocarlo,** deje de operar el cabrestante y permita que el motor se enfríe.

PRECAUCION *Si el motor del cabrestante se para, no siga aplicándole energía al cabrestante.*

CARACTERÍSTICAS

Motor Eléctrico - 1.8 (S4000), 2.1 (S5000) hp, 1.34 (S4000), 1.57 (S5000) kW) pico, con imán permanente de 12 V ó 24 V.

Freno - Un freno de resorte para el enrollamiento, que mantendrá el 50% de la carga nominal en la primera vuelta. A partir de ese momento, ese porcentaje se reducirá en aproximadamente el 10% por cada capa.

Tambor - De aluminio fundido sostenido por rodamientos sin mantenimiento.

Embrague de carrete libre - Operado por una palanca de acción fácil que desembraga el motoreductor para permitir que el cable de alambre sea sacado sin usar corriente eléctrica. Una placa de tensión reduce el latiguelo y el tironeo cuando se tira del cable de alambre.

Interruptor Remoto - 9.14 m (30') Conjunto de interruptor de mano tipo pendiente con interruptor de reversa con interbloqueo y disparador.

Montaje - Se ofrecen juegos de montaje opcionales, diseñados a la medida, para instalaciones sobre el chasis del vehículo.

Un cabrestante eléctrico es como

INFORMACIÓN GENERAL DE SEGURIDAD

Su cabrestante Serie S es una máquina muy poderosa. Trátelo con respeto, úselo con precaución y siempre siga los lineamientos de seguridad.

ADVERTENCIA *El cable puede romperse antes de que el cabrestante entre en pérdida. Para cargas pesadas use un bloque de poleas para reducir la carga sobre el cable de alambre.*

1. El cabrestante S4000 y S5000 tiene una capacidad nominal de 4,000 y 5,000 libras (1814 y 2268 kg) (en línea sencilla) en la capa de cable de alambre más cercana al tambor. **NO LO SOBRECARGUE. NO TRATE DE TIRAR CARGAS PESADAS DE FORMA PROLONGADA.** No mantenga encendido el cabrestante si el motor entra en pérdida. Las sobrecargas pueden dañar el cabrestante o el cable de alambre y causar condiciones de operación inseguras. **PARA CARGAS MAYORES DE 2/3 LA CAPACIDAD NOMINAL, RECOMENDAMOS EL USO DEL BLOQUE DE POLEAS OPCIONAL PARA LA OPERACIÓN DEL CABLE DE ALAMBRE EN LÍNEA DOBLE** (Figuras 3 y 15). Esto reduce la carga sobre en el cabrestante y el esfuerzo sobre el cable de alambre en aproximadamente el 50%. Si lo monta en la parte trasera del vehículo, sujételo al chasis u otra parte que soporte carga. El motor del vehículo debe estar funcionando durante la operación del cabrestante para reducir el desgaste de la batería y aumentar la potencia y velocidad del cabrestante. Si se activa el cabrestante durante considerables periodos de tiempo con el motor apagado, la batería podría descargarse demasiado, de modo que ya no pueda arrancar el motor.

2. DESPUÉS DE LEER Y ENTENDER ESTE MANUAL, APRENDA A USAR SU CABRESTANTE. Después de instalar el cabrestante, practique usándolo para que esté familiarizado con su operación cuando surja la necesidad de usarlo.

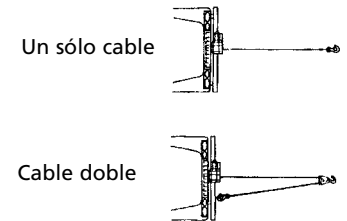


Figura 3

3. **NO «mueva» su vehículo para ayudar al cabrestante a tirar de la carga.** La combinación del cabrestante y el vehículo tirando a la vez puede sobrecargar el cable de alambre y el cabrestante.

4. **MANTENGA EL ÁREA DE MANIOBRAS LIBRE DE OBSTRUCCIONES.** No permita que permanezcan personas en el área durante las operaciones de tirado. **SIEMPRE MANTÉNGASE ALEJADO DEL CABLE, EL GANCHO Y EL CABRESTANTE.** EN EL REMOTO CASO DE FALLA DE CUALQUIER COMPONENTE, ES MEJOR ESTAR LEJOS DEL PELIGRO.

5. **INSPECCIONE FRECUENTEMENTE EL CABLE DE ALAMBRE Y EL EQUIPO.** UN CABLE DE ALAMBRE DESHILACHADO CON HILOS ROTOS DEBE REEMPLAZARSE INMEDIATAMENTE. Siempre reemplace el cable de alambre con la pieza de repuesto del fabricante idéntica (vea la lista de piezas). Revise periódicamente la instalación del Cabrestante para asegurarse de que los tornillos estén firmes.

6. **USE GUANTES DE CUERO PESADOS AL manejar el cable.** **NO DEJE QUE EL CABLE DE ALAMBRE SE DESLICE EN SUS MANOS NI AÚN CUANDO USE GUANTES.**

Unión Europea



Ruido El nivel de ruido de este cabrestante en operación está por debajo de los 92 dB. (A).

Aislante de la Batería Para cumplir con la Directiva de Maquinaria 89/392/EEC, todas las instalaciones de máquinas deben estar equipadas con un aislante (Número de pieza 8370) con la cual la máquina puede detenerse completamente con seguridad.

INFORMACIÓN GENERAL DE SEGURIDAD (CONT.)

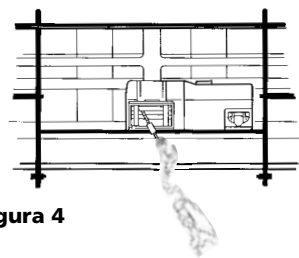


Figura 4

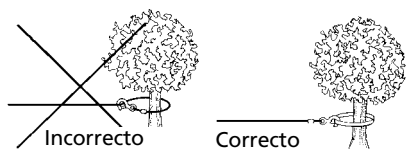


Figura 5

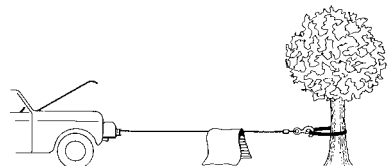


Figura 6

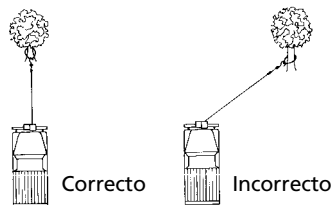


Figura 7

7. NUNCA USE EL CABRESTANTE CON MENOS DE 5 VUeltas de cable de alambre en el tambor, ya que es posible que el cable de alambre y su sujeción no resistan la carga completa. Siempre use la barra para manos cuando guíe el cable de alambre hacia adentro o afuera (ver la Figura 4).



8. MANTÉNGASE ALEJADO DEL CABRESTANTE, EL CABLE TENSO Y EL GANCHO AL OPERAR EL CABRESTANTE. Nunca introduzca su dedo a través del gancho. Si su dedo llega a quedar atrapado en el gancho, podría perderlo.

Nunca guíe el cable hacia el tambor con la mano.



9. NUNCA ENGANCHE EL CABLE DE ALAMBRE SOBRE SÍ MISMO PORQUE PODRÍA DAÑAR EL CABLE DE ALAMBRE. Use una eslinga de nilón (Figura 5).

10. Es una buena idea poner una frazada pesada o abrigo sobre el cable de alambre cerca del extremo del gancho al tirar de cargas pesadas (Figura 6). En el caso de que el cable de alambre falle, la tela actuará como atenuador para evitar que el cable de alambre latiguee. Levante la capota del motor del vehículo para aumentar la protección.

11. NUNCA USE SU CABRESTANTE PARA LEVANTAR O MOVER GENTE.



12. Su cabrestante no ha sido diseñado para operaciones de izado.

13. EVITE TIRAR CONTINUAMENTE DESDE ÁNGULOS EXTREMOS, ya que esto causará que el cable de alambre se apile en un extremo del tambor (Figura 7). Esto puede atorar el cable de alambre en el cabrestante, dañando tanto el cable de alambre como el cabrestante.

14. NUNCA TAPE LAS ETIQUETAS DE INSTRUCCIONES DE ADVERTENCIA.

15. Siempre opere el cabrestante teniendo una vista sin obstrucciones del área de operaciones.

16. Los equipos como aparejos, gan-

INFORMACIÓN GENERAL DE SEGURIDAD (CONT.)

chos, bloques de poleas, cintas, etc., deben ser del tamaño de la tarea de levantamiento y debe inspeccionar periódicamente que no tengan daños que puedan reducir su resistencia.

17. NUNCA SUELTE EL EMBRAGUE DEL CARRETE LIBRE CON UNA CARGA EN EL CABRESTANTE.

18. ALMACENE EL CONJUNTO DE PENDIENTE REMOTO EN UN LUGAR SEGURO cuando no se use para evitar que lo usen los niños u otras personas no autorizadas.

19. NO OPERE EL CABRESTANTE CUANDO ESTÉ BAJO LA INFLUENCIA DE DROGAS, ALCOHOL O MEDICAMENTOS.

20. SIEMPRE DESCONECTE EL PENDIENTE REMOTO ANTES DE TRABAJAR EN LA GUÍA DE RODILLOS Y EL TAMBOR DEL CABRESTANTE O A SU ALREDEDOR (LA ZONA DE PELIGRO), para que no se pueda encender el cabrestante accidentalmente.

21. Cuando mueva una carga, recoja el exceso de cable de alambre con cuidado hasta que el cable de alambre esté tenso. Deténgase, vuelva a verificar todas las conexiones de levantado. Asegúrese de que el gancho esté bien asentado. Si se usa una eslinga de nilón, revise la sujeción a la carga.

22. Cuando use su cabrestante para mover una carga, coloque la transmisión de su vehículo en neutral, ponga el freno de mano y bloquee todas las ruedas.

23. NO USE EL CABRESTANTE PARA RETENER CARGAS EN UN SÓLO SITIO. Use otros medios para asegurar cargas, como tirantes para atar. Superwinch ofrece una amplia variedad de ataduras. Comuníquese con su distribuidor local Superwinch.



24. SÓLO USE INTERRUPTORES, CONTROLES REMOTOS Y ACCESORIOS APROBADOS POR LA FÁBRICA. El uso de componentes no aprobados por la fábrica puede ocasionar lesiones o daños a la propiedad, y puede anular su garantía

25. NO MAQUINE NI SUELDE PARTE ALGUNA DEL CABRESTANTE. Tales alteraciones pueden debilitar la integridad estructural del cabrestante y pueden anular la garantía.

26. No saque el cable con el motor del cabrestante en longitudes mayores de 15.2 metros (50 pies) o durante periodos mayores de 2 minutos.

⚠ ADVERTENCIA *El tambor y el cable pueden calentarse mucho (Figura 8).*

27. NO CONECTE EL CABRESTANTE A LA CORRIENTE RESIDENCIAL DE 110 VCA O DE 220 VCA, YA QUE SE PUEDE QUEMAR EL CABRESTANTE O ¡RECIBIR UN CHOQUE ELÉCTRICO FATAL!

28. Nunca permita que se apliquen cargas de choque al cabrestante o al cable de alambre.

29. Tenga precaución al bajar o tirar de una carga hacia arriba o hacia abajo por una rampa o pendiente. Mantenga a la gente, mascotas y bienes lejos del camino de la carga.

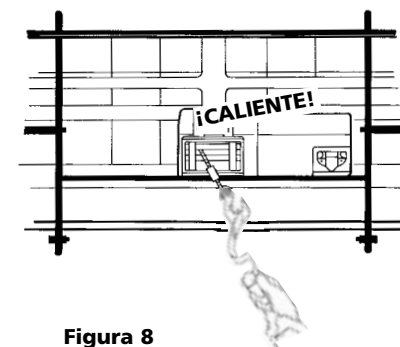


Figura 8

MONTAJE DE SU CABRESTANTE

Se ofrecen juegos de montaje (adaptación) de Superwinch para la mayoría de los vehículos más populares. Si usted no puede localizar un juego localmente, comuníquese con Superwinch a la dirección anotada al frente de este manual para obtener el nombre del distribuidor Superwinch más cercano.

Se proporcionan instrucciones detalladas de montaje con cada juego de montaje. Lea y siga

las instrucciones cuidadosamente para asegurar la alineación correcta del cabrestante y su operación sin problemas.

ADVERTENCIA Este cabrestante **DEBE** montarse con el cable en la dirección de desenrollado por abajo. El montaje indebido podría dañar su cabrestante y anular su garantía.

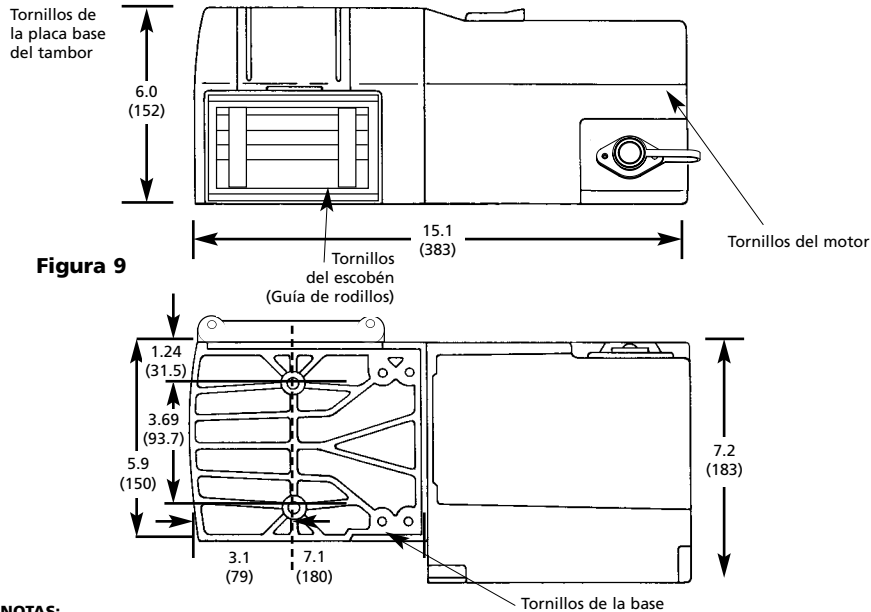


Figura 9

NOTAS:

1. Todas las dimensiones están en pulgadas [milímetros].
2. La instalación típica se realiza sobre una superficie plana capaz de soportar las cargas. Los pernos deben ser Grado 5 o mejores.

INSTALACIÓN

REQUISITOS ELÉCTRICOS MINIMOS

La capacidad mínima de las fuentes de energía recomendadas para un cabrestante de 12 volts, es un alternador de 60 amperes y una batería con 440 amperes de arranque en frío. Si el cabrestante está sometido a uso pesado, se recomienda utilizar una batería auxiliar y un alternador para servicio pesado.

Paso (1)

Instale el juego de montaje sobre el apoyo estructural del cabrestante.

Paso (2)

Monte el cabrestante a la base que haya elegido.

Los pernos de montaje incluidos son de la longitud correcta para usarse con una placa de hasta 1/4" (6.3 mm).

INSTALACIÓN (CONT.)

ADVERTENCIA No sustituya por ningún grado de resistencia menor a grado 5.

Al conectar cables a las terminales del motor y solenoides (relevador), sostenga la tuerca interna al apretar la tuerca exterior. No permita que giren las terminales del motor porque puede romper los cables internos o desalinearse la pieza. Tenga especial cuidado en evitar que gire el solenoide (relevador) Cualquier giro puede dañar el solenoide (vea la Figura 10).

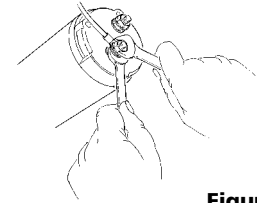


Figura 10

Paso (3)

Desconecte los conductores de la batería del vehículo.

PELIGRO Las baterías de los automóviles contienen gases que son inflamables y explosivos. Use protección para los ojos durante la instalación y quítese toda la joyería de metal. No se incline sobre la batería al hacer las conexiones.

Esté preparado

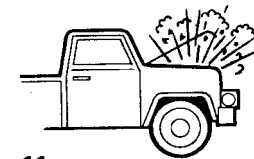


Figura 11

Paso (4)

Pase dos (2) cables a través de la rejilla del vehículo a la batería. Para proteger contra desgaste del aislamiento o cortes, aplique varias capas de cinta aislante en lugares donde el cableado pueda tocar piezas agudas del vehículo. Ponga el cortacircuitos en el extremo del cable azul terminado. Envuelva el conjunto del cortacircuitos con cinta aislante para evitar cortocircuitos accidentales.

INSTALACIÓN (CONT.)

Nota: Si decide ubicar el cabrestante a una distancia mayor que la que permiten los cables provistos, quizás sea necesario comprar cable más grueso para lograr el mejor rendimiento de su cabrestante. Si la longitud total del cable adicional a conectar al sistema excede los 3.04 m (10'), use un cable de mayor calibre.

Conecte el interruptor directamente a la terminal positiva de la batería, y reconecte la terminal a la batería. Si su vehículo está equipado con terminales laterales quizás sea necesario obtener pernos para terminales laterales de su refaccionaria local para hacer estas conexiones. Conecte el otro cable a la terminal negativa de la batería, y conecte la terminal a la batería.

Paso(5)

Cambie la posición de la palanca del embrague a la posición «Free» (Libre). Saque varios pies de cable de alambre del tambor. Coloque nuevamente la palanca del embrague en posición «Engaged» (Trabado). Enchufe el control de pendiente remoto. Presione momentáneamente el obturador del interruptor hacia la posición de «Cable Afuera» para verificar la rotación y dirección del tambor con cable metálico. Si el tambor rota en la dirección equivocada, revise nuevamente la instalación de los cables.

El interruptor pendiente de mano activa un solenoide que le aplica corriente al motor del cabrestante. Un solenoide es para la dirección «Rope Out» (Sacar Cable) del motor y el otro es para la dirección «Rope In» (Tirar Cable)(Fig. 12).

PRECAUCIÓN Para evitar el uso no autorizado del cabrestante, quite el control pendiente y almacénelo en un lugar limpio y seco, como la guantera.

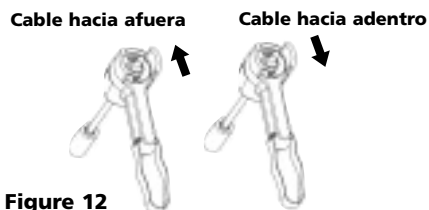


Figure 12

OPERACIÓN DEL PENDIENTE

El gatillo interruptor vuelve a la posición «Off» (Apagado) cuando se suelta (Figura 12, Artículo A). El botón deslizante del reverso del interruptor determina la dirección de giro del tambor para funcionar tirando o sacando cable (Figura 12, Artículo B). El interruptor deslizador está dotado de un sistema de interbloqueo para que el motor no pueda ponerse en marcha atrás si se oprime el gatillo. Para cambiar la dirección, suelte el gatillo, mueva el botón deslizante y vuelva a oprimir el gatillo. (Fig. 12)

PRECAUCIÓN El conjunto del interruptor debe mantenerse libre de tierra y humedad para asegurar su operación segura.

Para conectar el control de pendiente, levante la tapa guardapolvos del receptáculo del enchufe (Vea la Figura 13). La clavija del control de pendiente está codificada y entrará en el enchufe solamente en una dirección.

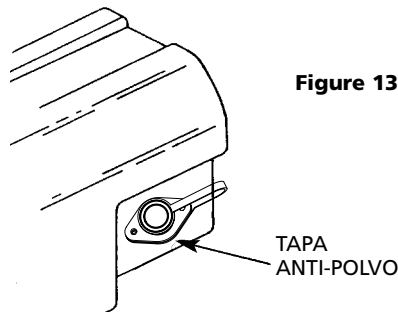


Figure 13

CÓMO SACAR EL CABLE

El cable ha sido instalado en la fábrica en su cabrestante bajo carga mínima. El cable debe ser rebobinado al tambor bajo carga de modo que las capas exteriores no se inserten a las interiores, dañándose. Levante la palanca de embrague a la posición «Free» (Libre) como se muestra en la Figura 13. Si hay una carga en el cable de alambre, es posible que la palanca del embrague no gire fácilmente. NO FUERCE LA PALANCA DE EMBRAGUE. Suelte la tensión sobre el cable, sacando lentamente un poco de cable. Suelte el embrague, saque el cable y asegúrelo al anclaje o la carga. Revise que haya por lo menos cinco (5) vueltas de cable de alambre en el tambor. Vuelva a embragar el tambor devolviendo la palanca del embrague a la posición de «Acoplado» (vea la Figura 14).

PRECAUCIÓN La palanca debe estar en la posición de «Acoplado» y estar cerrada antes de operar el cabrestante.

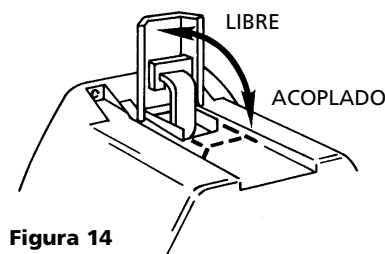


Figure 14

CONSEJOS PARA INCREMENTAR LA VIDA ÚTIL DE SU CABRESTANTE

1. MANTENGA EL CABLE DE ALAMBRE ARROLLADO FIRME EN EL TAMBOR. No permita que se afloje el cable de alambre. Un carrete arrollado flojamente permite que el cable de alambre tenso baje por las capas de cable de alambre del tambor. Cuando esto sucede, el cable de alambre puede deformarse como cuña dentro del cuerpo del enrollado dañándose. Para evitar este problema, mantenga siempre el cable de alambre embobinado firme y uniformemente en . Una buena práctica es enrollarlo bajo tensión después de cada uso. Una manera de hacerlo es sujetar el gancho a un objeto estacionario hasta arriba de una pendiente gradual y tirar de su vehículo hacia arriba en la pendiente.
2. NO PERMITA QUE EL MOTOR DEL CABRESTANTE SE SOBRECALIENTE. Recuerde, el cabrestante se ha diseñado usarse sólo intermitentemente. Durante sesiones de tirado largas o pesadas, el motor se calentará. Para tirar a la capacidad nominal, deje enfriar el motor después de 20 segundos de estar conectado (On). Para cargas menores del 50% de la capacidad nominal, deje enfriar después de 2 minutos de estar conectado (On).
3. USE UN BLOQUE DE POLEAS PARA CARGAS PESADAS. Para aumentar la vida del cabrestante y del cable de alambre, use un bloque de poleas para tirar con línea doble las cargas más pesadas. (Figura 15)



Figure 15

- El tirón requerido para comenzar a mover una carga a menudo es mayor que el que se requiere para mantenerla en movimiento. EVITE PARADAS Y COMIENZOS FRECUENTES DURANTE EL TIRO.
- EVITE TORCEDURAS ANTES DE QUE OCURRAN.

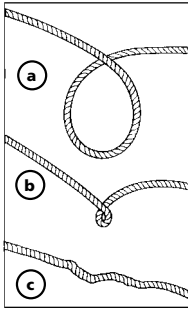


Figura 16

- Este es el comienzo de una torcedura. En este momento debe enderezarse el cable de alambre.
 - Se ha tirado del cable de alambre y el rizo se ha apretado a una retorcida. Ahora el cable de alambre ya está dañado permanentemente y debe ser reemplazado.
 - Las torceduras hacen que se rompan los hilos de alambre bajo tensión y sí reducen la capacidad de carga del cable de alambre. El cable de alambre debe ser reemplazado.
- EQUIPAR EL CABRESTANTE CON UNA GUÍA DE ENTRADA CON RODILLOS reduce sustancialmente el desgaste del cable durante sesiones de tirado en ángulo (Figura 18). Los rodillos eliminan el roce pesado y las abrasiones sufridas por el cable.

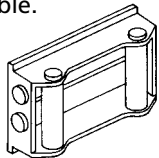


Figura 17

MANTENIMIENTO Y REPARACIÓN

Revise periódicamente la firmeza de los tornillos de montaje y las conexiones eléctricas. Quite toda la tierra o corrosión que se haya acumulado en las conexiones eléctricas.

Las reparaciones deben hacerlas los centros autorizados de reparaciones Superwinch solamente. No trate de desarmar el motorreductor. Si lo hace, anulará la garantía.

LUBRICACIÓN

La motorreductor y el cojinete del tambor están lubricados permanentemente con un lubricante de engranajes de alto rendimiento. Si necesita volver a lubricarlo (luego de una reparación o desarmado), use Shell Alvenia EP2 o equivalente.

REEMPLAZAR DEL CABLE

Nunca sustituya por un cable de mayor o menor capacidad. Nunca use otro cable hecho de ningún otro material que no sea alambre.

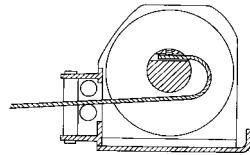


Figura 18

Siempre reemplace el cable de alambre con la pieza de refacción del fabricante idéntica (vea la lista de piezas). Pase el extremo de sujeción del cable de alambre por la guía de entrada (si está equipado con ella) y sujételo al tambor. Al insertar el cable de alambre al tambor, inserte el extremo correcto al orificio provisto (Figura 19). Apriete bien el tornillo prisionero. Es importante que el cable de alambre esté firmemente arrollado al tambor. Una buena manera de hac-

erlo es sujetar el gancho del cable de alambre a un punto fijo en una pendiente ligera y arrollarlo tirando del vehículo.

OPERACIÓN DEL FRENO

Su cabrestante Serie S posee un freno de resorte para el enrollamiento, que detiene y mantiene cargas de hasta el 50% de la capacidad nominal en la primera capa de cable de alambre más cercana al tambor. Cada capa adicional de cable de alambre reducirá la capacidad de frenado en 10% aproximadamente. Al arrollar el cable con el motor, el freno no está acoplado y no se activa sino hasta que se apaga el motor y la carga trata de tirar del cable hacia afuera del tambor. Cuando se apaga el cabrestante, como al soltar una carga, el freno se acopla y el motor deberá sobreponerse a la resistencia del freno para girar el tambor. Por lo tanto, es normal que el cabrestante opere más rápidamente en una dirección que en la otra. El freno se ha diseñado para que el cable se use sólo en la posición de enrollado por debajo. NO lo enrolle

por encima. Tirar contra el resorte hará que se acumule el calor y es posible que éste se transmita al cable de alambre (Figura 20). NO SAQUE CABLE CON EL MOTOR POR MÁS DE 15.2 METROS (50 PIES) O POR 2 MINUTOS.

ADVERTENCIA *El tambor y el cable de alambre pueden calentarse mucho.*

Cuando sale el cable de alambre del tambor, como para llevar el gancho a la carga, debe usarse la característica de rueda libre.

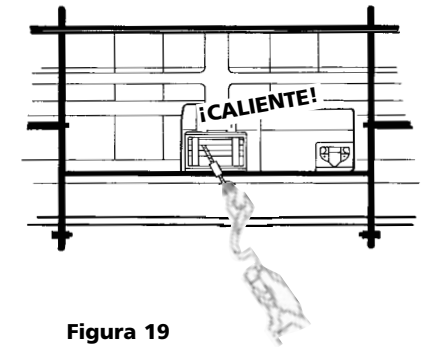
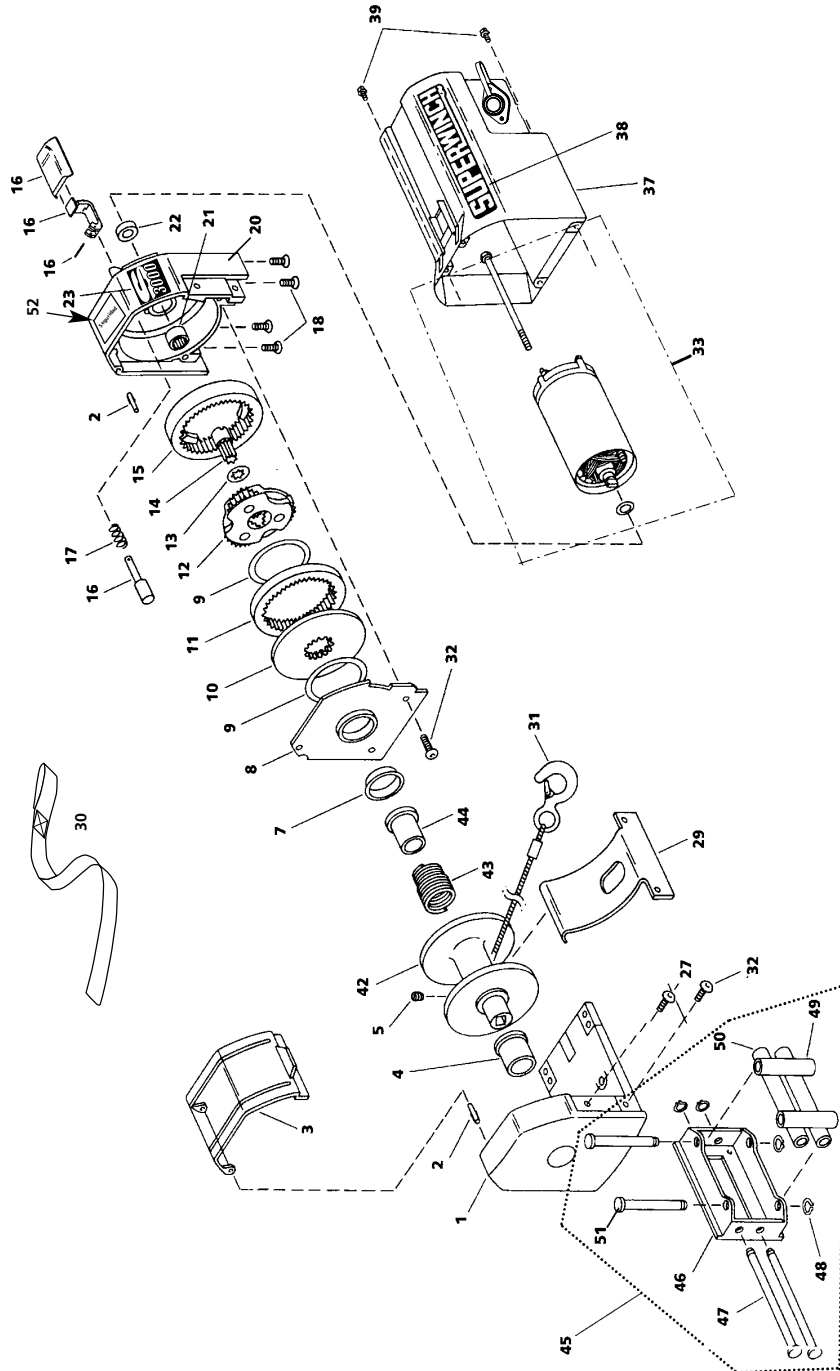


Figura 19

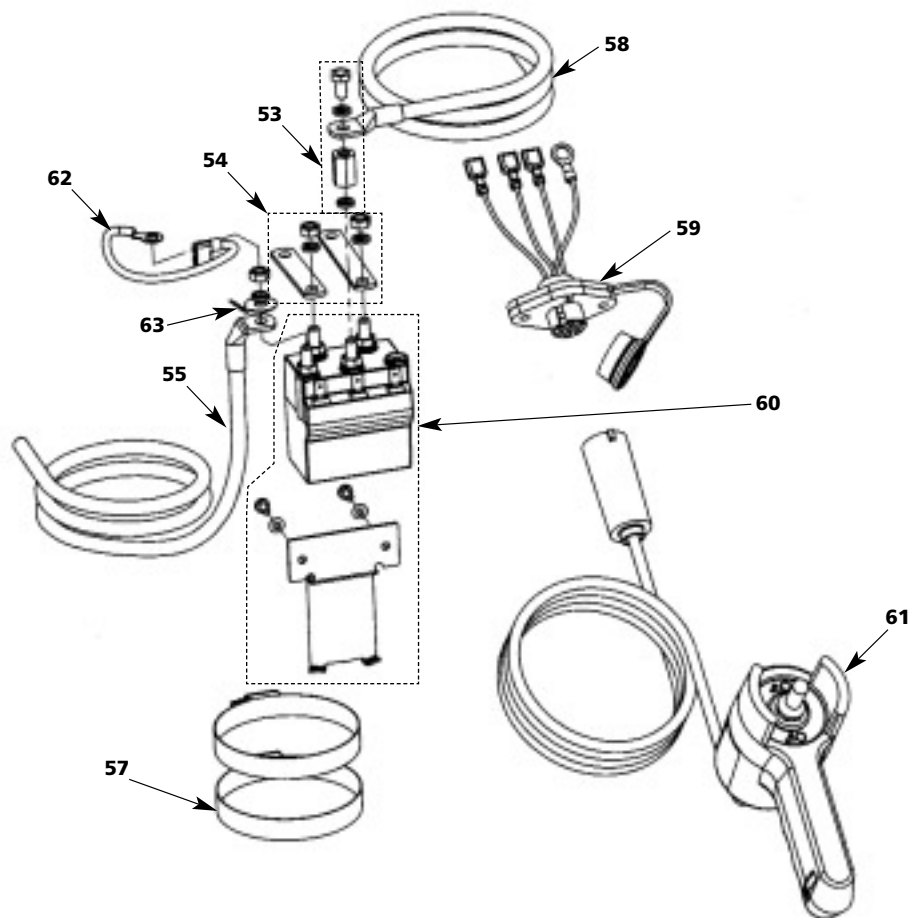
CONJUNTO DEL CABRESTANTE



LISTA DE PIEZAS DE REPUESTO

Número de Referencia	Descripción	Número de Pieza	Cant.
1	Base	89-52021	1
2	Clavija de ranura	89-23303-01	2
3	Protector del Cable	89-32268	1
4	Cojinete Principal	89-22268	1
5	Tornillo prisionero de punta redonda M6 x 1 x 8 mm	90-23164-12	1
7	Cojinete del tambor	89-22269	1
8	Soporte del tambor	89-40092	1
9	Arandela de empuje	90-12574	2
10	Placa motriz	89-32263	1
11	Engranaje anular giratorio	89-32265	1
12	Conjunto de cargador planetario	89-22141	1
14	Engranaje central	89-33303	1
15	Engranaje anular estacionario	89-32266	1
16	Juego de reparación de rueda libre (Incluye flecha, palanca, asa y remache)	89-10580	1
17	Resorte de rueda libre	90-23152-08	1
18	Tornillo de cabeza plana M6 x 1 x 16 mm	89-22291-01	4
20	Conjunto de carcasa (incluye 21 y 22)	89-40104	1
21	Cojinete de aguja (.8125 X 1.125 X .750)	89-23263-03	1
22	Cojinete de la flecha del motor	89-12002	1
23	Logotipo S5000	89-17332	1
	Logotipo S4000	89-17331	1
27	Tornillo de cabeza redonda M6 x 1 x 13 mm	89-22290-01	2
29	Resorte de tensión de cable	89-32295	1
30	Barra protectora para manos	87-31120	1
31	Conjunto de cable de alambre con gancho 1/4" x 50' (S5000)	1577A	1
	Conjunto de cable de alambre con gancho 7/32" x 60' (S4000)	1514A	1
32	Tornillo de cabeza redonda M6 x 1 x 16 mm	89-22290-02	5
33	Motor 12 Voltios Completo (S5000)	90-33294	1
	Motor 24 Voltios Completo	89-33298	1
	Motor 12 Voltios Completo (S4000)	90-33295	1
	Motor 24 Voltios Completo	90-33318	1
37	Tapa del motor	89-52024	1
38	Placa de nombre «Superwinch»	89-22277	1
39	Tornillo con arandela de cabeza hexagonal M4 x 0,7 x 6 mm	89-22292-01	4
42	Tambor	89-40085	1
43	Resorte del freno	89-22342	1
44	Adaptador del freno	89-22287	1
45	Guía de entrada con rodillos	89-40123	1
46	Marco de la guía de rodillos	89-40113	1
47	Flecha del marco de la guía de rodillos (Largo)	89-22334-02	2
48	Anillo retenedor	90-23029-08	4
49	Rodillo de 5/8 X 2.352"	90-12568-04	2
50	Rodillo de 5/8 X 4.735"	90-12568-06	2
51	Flecha de la guía de rodillos (Corta)	89-22334-01	2
52	Etiqueta de Seguridad	89-20330	1

CONJUNTO DE SOLENOIDE



LISTA DE PIEZAS DE REPUESTO

Número de Referencia	Descripción	Número de Pieza	Cant.
53	Juego de espaciadores de los conductores	89-24430	1
54	Juego de barras conductoras	89-24431	1
55	Alambre Negro 2 del Calibrador (-) S5000 12V	89-22635-61	1
	Alambre Negro 6 del Calibrador (-) S4000, S5000 24V	89-23292-38	1
57	Abrazadera de banda	89-14459	2
58	Alambre Rojo 2 del Calibrador (+) S5000 12V	89-22635-60	1
	Alambre Rojo 6 del Calibrador (+) S4000, S5000 24V	89-23292-37	1
59	Zócalo de conexión	90-14140	1
60	Solenoido Tipo 6 con soporte, 12V	89-24429	1
	Solenoido Tipo 6 con soporte, 24V	89-24467	1
61	Control remoto manual	90-33450-02	1
62	Cable de puente de conexión a tierra, de calibre 18	89-23283	1
63	Adaptador de terminal	89-14458	1

ESPECIFICACIONES DE TORSIÓN

ESPECIFICACIONES DE TORSIÓN

Tornillos de la placa base del tambor	50-60 in-lbs.
Tornillos del escobén (Guía de rodillos)	45-55 in-lbs.
Tornillos de la base	65-75 in-lbs.
Motor	35-40 in-lb

⚠ ADVERTENCIA *Dar demasiada torsión puede dañar su cabrestante y anular su garantía.*

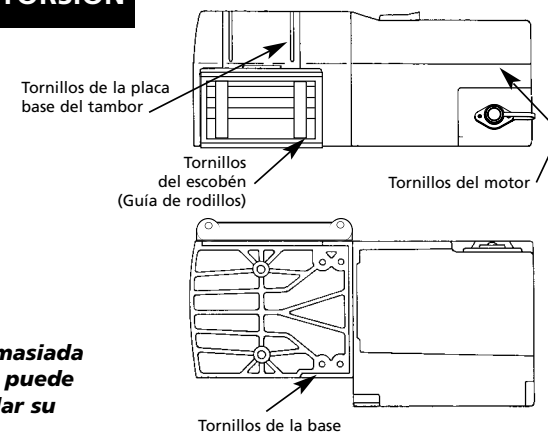


TABLA DE IDENTIFICACIÓN DE PROBLEMAS

Si surge algún problema, comuníquese con su distribuidor Superwinch o centro de reparación más cercano.

Síntoma	Causa Probable	Acción Correctiva
El motor no funciona, o funciona solamente en una dirección	<ol style="list-style-type: none"> Solenoides dañados o atascados Interruptor inoperativo Cables rotos o mal contacto Motor dañado Los solenoides no están conectados a tierra 	<ol style="list-style-type: none"> PRECAUCIÓN desembrague el cabrestante antes de efectuar esta prueba, para no activar el tambor del cable de alambre. Si un solenoide se atasca una vez, es probable que vuelva a atascarse y debe ser reemplazado inmediatamente. Golpee suavemente el solenoide para liberar los contactos atascados. Verifíquelo aplicando corriente a la terminal pequeña del solenoide. Asegúrese de que el solenoide esté conectado a tierra en la fuente de energía. Un solenoide que no esté atascado hará un «clic» audible al conectarse. Reemplace el interruptor Revise que no haya malas conexiones: PRECAUCIÓN siempre use dos llaves (ajustables) (vea la Fig. 11). Reemplace o repare el motor Revise la conexión a tierra entre la terminal negativa de la batería y la base de los solenoides
El torno no se apaga	<ol style="list-style-type: none"> Solenoides atascados en posición «encendido» 	<ol style="list-style-type: none"> Si un solenoide queda atascado en posición de encendido, invierta la dirección y oprima el interruptor de gatillo hasta que se pueda desconectar el conductor. Tenemos un interruptor de desconexión de seguridad accesorio
El motor funciona pero se calienta muchísimo	<ol style="list-style-type: none"> Largo período en operación Motor dañado Freno dañado 	<ol style="list-style-type: none"> Permita que se enfríe Reemplace o repare el motor Reemplace o repare el freno
El motor funciona pero con poca potencia o velocidad de línea	<ol style="list-style-type: none"> Batería descargada El cable de la batería al cabrestante es demasiado largo Mala conexión a la batería Mala conexión a tierra Freno dañado 	<ol style="list-style-type: none"> Recargue o reemplace la batería. Revise el sistema de carga Use un alambre mayor calibre Revise que las terminales de la batería no tengan corrosión. Límpielas de ser necesario Limpie y limpie las conexiones Repare o reemplace el freno
El motor funciona pero el tambor no gira	<ol style="list-style-type: none"> No está embragado 	<ol style="list-style-type: none"> Embrague
El cabrestante gira al revés	<ol style="list-style-type: none"> Los cables del motor están invertidos Solenoides conectados incorrectamente 	<ol style="list-style-type: none"> Revise nuevamente el cableado Revise nuevamente el cableado
El cabrestante no sostiene la carga	<ol style="list-style-type: none"> Carga excesiva Freno desgastado o dañado 	<ol style="list-style-type: none"> Reduzca la carga o duplique la línea Repare o reemplace el freno.

SUPERWINCH®

CENTROS DE REPARACIÓN DE GARANTÍA

ÉUA

Superwinch Inc.
Winch Drive
Putnam, CT 06260
phone: 860-928-7787
repair@superwinch.com

Electric Motor Repair
2010 North 4th Street
Minneapolis, MN 55411
phone: 612-588-4693

Berens & Associates
124 Hegenberger Loop
Oakland, CA 94621
phone: 800-540-2858
berens94621@yahoo.com

Zorko's Alternator Service
241 Wells Road
Home, PA 15747
phone: 800-468-5055
zasapw@microserve.net

Electric Motors of Iowa City
50 Commercial Court
Iowa City, IA 52246
phone: 319-354-4040
emic4040@aol.com

CANADA

Demand Electric
228-39th St. N.E.
Calgary, AB T2E 2M5
403-230-2709

Harold Supply
3 Southerland Ave.
Sudbury, Ont. P3C 3A7
705-761-4455

Explora Industries Ltd.
9605-5th Ave.
Edmonton, AB T6E 0B2
780-430-8591

Dayworth Sales
1 Saunders Rd. Unit 2
Barrie, Ont. 9A7 9A7
705-726-7778

Les Equipment Twin
10401 Parkway Blvd.
Ville D'Anjou, PQ H1J 1R4
514-353-1190

Buffalo Industries
251-253 Princess Street
Winnipeg, Manitoba R2C 1M1
204-942-1951

Power Plus Tool Repair
57 Millenium Ave.
Moncton, NB E1E 2G2
560-855-8665

Muskoka Auto Parts
11 King William St.
Huntsville, Ont. P1H 2K8
705-789-2321

Lou Dennis Auto
Hiway 11 South
Sundridge, Ont. P0A 1Z0
705-384-5345

Outdoors Plus
128 Regional St.
P.O. Box 1349
Port Aux Basques, NF A0M 1C0
709-695-7533

Bobcaygeon Auto and Marine
91 Main St.
Bobcaygeon, Ont. K0M 1A0
705-738-2317

MAP Bracebridge
19 Taylor Rd.
Bracebridge, Ont. P1L 1W3
705-645-8785

MAP Fenelon Falls
165 Lindsay St.
Fenelon Falls, Ont. K0M 1N0
705-887-6232

Central Electric Motor Rewind
#1-1960 Windsor Rd.
Kelowna, BC V1Y 2Y3
250-860-4415
jnelsoncentral@netscape.net

Delta Tool Repair Limited
114-7533, 135th St.
Surrey, BC V3W 0N6
604-591-3230

Ted's Power Tool Repair
426-44th St. East
Saskatoon, SK S7K 0W1
306-934-6155

Bob's Electric Truck Service
845-B Macdonald Ave.
Regina, SK S4N 2X5
306-721-4148

Off Road Canada
251-12th St. "B" North
Lethbridge, AB T1H 2K8
403-327-7722

Gary's Starter & Alternator
P.O.Box 7 Site 4
RR 1 Mount Uniacke B0N 1Z0
Contact: Gary Thorne
902-757-2388

Power Blitz Mftg. & Maintenance
577 Edgeley Blvd. Unit 6
Concord, Ont. L4K 4B2
905-669-8209
ali@powerblitz.com

Bruce's Recreation
92 Balbo Dr.
Shoal Harbour Nfld A5A 4A8
709-466-3355

Atlantic Recreation & Marine
5 School St.
Sydney, Nova Scotia
B1S 3G1
902-567-1697
sbidart@thearm.ca

REINO UNIDO

Superwinch, LTD
Abbey Rise, Whitchurch road
Tavistock, Devon PL19 9DR
+44 (0) 1822 614101

EN TODO EL MUNDO

Comuníquese con su Distribuidor local de Superwinch o llame a Superwinch.

SUPERWINCH®**GARANTÍA LIMITADA**

Válida en Todo el Mundo

GARANTÍA LIMITADA. Superwinch Inc. ("Vendedor") le garantiza al comprador original ("UD.") que todas las partes y componentes excepto el cable están libres de defectos en materiales y mano de obra, durante un periodo de (UN) 1 año a partir de la fecha de compra demostrable. Cualquier producto Superwinch que sea defectuoso será reparado o reemplazado sin costo a Ud., al acatar estos procedimientos. Las garantías establecidas en la presente son exclusivas y sustituyen toda otra garantía, ya sea oral o escrita, expresa o implícita.

Procedimiento de Cumplimiento con la Garantía Limitada.

Al descubrir un producto Superwinch defectuoso, debiera enviarle por correo al Vendedor, a su fábrica o a cualquier Centro de Servicio Autorizado por la Fábrica, notificación por escrito de dicho defecto, y enviar por correo, embarcar o de otra forma entregar el Superwinch defectuoso, con el porte o el flete pre-pagado. La reparación o el reemplazo por parte del Vendedor bajo esta Garantía limitada normalmente se efectuarán dentro de los quince (15) días laborales a partir del recibo del Superwinch defectuoso. El Vendedor o sus Agentes Autorizados podrán cobrar cargos razonables en concepto de repuestos y mano de obra, por reparaciones que no estén cubiertas por esta Garantía Limitada.

Limitaciones y Exclusiones a esta Garantía y Recurso.

La reparación y / o el reemplazo del Superwinch defectuoso o de la parte componente del mismo como se establece en la presente es el recurso exclusivo suyo. Las siguientes exclusiones o limitaciones de garantías y limitaciones de recursos serán expresamente aplicables:

A. **Garantías expresas.** El Vendedor Garantiza que el Superwinch es como se describe en el "Manual del Dueño de Superwinch" provisto con la presente; no se hace ninguna otra garantía expresa con respecto al Superwinch. Si cualquier modelo o muestra se le mostró a Ud., dicho modelo o muestra se usó con fines ilustrativos solamente, y no será considerado como una garantía de que el Superwinch estará en conformidad con la muestra o el modelo. **EL VENDEDOR NO EMITE GARANTÍA EXPRESA EN LO REFERENTE AL CABLE INCORPORADO AL PRODUCTO.**

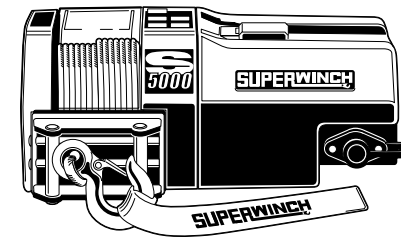
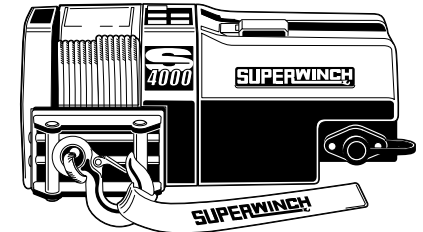
B. **Garantía Implícita.** LA GARANTÍA IMPLÍCITA DE APTITUD PARA LA VENTA Y TODAS LAS DEMÁS GARANTÍAS IMPLÍCITAS SÓLO TENDRÁN VIGENCIA A PARTIR DE LA FECHA DE COMPRA DEMOSTRABLE, DURANTE UN (1) AÑO. EL CABLE SE VENDE "EN SU ESTADO ACTUAL", SIN GARANTÍA IMPLÍCITA ALGUNA. ALGUNOS ESTADOS DE LOS E.U.A. NO PERMITEN LIMITACIONES EN LO REFERENTE A CUÁNTO DURA UNA GARANTÍA IMPLÍCITA, DE MODO QUE LA LIMITACIÓN DE MÁS ARRIBA PODRÍA NO APLICARSE A UD.

C. **Daños incidentales y Consecuentes.** EN SUJECCIÓN A LAS OBLIGACIONES PROPIAS A LA GARANTÍA LIMITADA DEL VENDEDOR ESTABLECIDAS EN LA PRESENTE, EL VENDEDOR NO SERÁ RESPONSABLE POR DAÑOS INCIDENTALES DE ÍNDOLE ALGUNA, O POR DAÑOS CONSECUENTES A LA PROPIEDAD, PÉRDIDA DE GANANCIAS Y PÉRDIDA DEL USO QUE PUEDAN SER OCASIONADOS POR CUALQUIER DEFECTO EN, O MAL FUNCIONAMIENTO, O FALLA DEL SUPERWINCH ADJUNTO. ALGUNOS ESTADOS DE LOS E.U.A. NO PERMITEN LA EXCLUSIÓN O LIMITACIÓN DE DAÑOS INCIDENTALES O CONSECUENTES, DE MODO QUE LA LIMITACIÓN O EXCLUSIÓN DE MÁS ARRIBA PODRÍA NO APLICARSE A UD.

D. **Condición de la Garantía.** Al Vendedor no se le requerirá cumplir con sus deberes establecidos bajos los términos de la garantía contenida en la presente si el defecto, el mal funcionamiento, o la falla del Superwinch fue causado por daños (no resultantes de componentes defectuosos o en mal estado de funcionamiento) o uso irrazonable ocasionados por Ud. El uso irrazonable incluirá, pero no estará limitado el no proporcionar mantenimiento o instalación razonables y necesarios, o el uso del Superwinch sin acatar las instrucciones contenidas en el Manual del Dueño de Superwinch, y el someter al Superwinch a cargas en exceso de la carga establecida en el Manual del Dueño para el número del modelo particular. La responsabilidad del Vendedor bajo esta garantía, o por cualquier pérdida o daño al producto Superwinch, no excederá el costo de corregir los defectos o reemplaza, el producto Superwinch, y al expirar el plazo de la garantía, toda responsabilidad tal terminará. Los agentes, concesionarios y empleados del Vendedor no están autorizados a realizar modificaciones a esta garantía, o garantías adicionales obligatorias al Vendedor. Por lo tanto, declaraciones adicionales, ya sean orales o escritas, no constituyen garantías y no se debiera confiar en ellas.

RECURSOS LEGALES DEL COMPRADOR. Esta garantía limitada le otorga derechos legales específicos, y Ud. podría tener otros derechos que pueden variar de Estado a Estado dentro de los E.U.A. y de país en país. Ud. también tiene derechos propios a una garantía implícita. En el caso de que surja un problema con el servicio o el cumplimiento de la Garantía Limitada, Ud. quizá pueda recurrir a un juzgado de instancia menor, un juzgado estatal, o un juzgado federal de distrito en los E.U.A., o a jurisdicciones apropiadas fuera de los E.U.A.

AVERIGUACIONES. Cualquier averiguación referente al acato de las garantías establecidas mediante la presente podrán dirigirse por escrito a: Superwinch Inc., Winch Drive, Putnam, CT 06260, E.U.A. o a: Superwinch Ltd., Abbey Rise, Whitchurch Road, Tavistock, Devon PL19 9DR, Inglaterra.

SUPERWINCH®**MODE D'EMPLOI**

INSTALLATION • FONCTIONNEMENT • ENTRETIEN
PRÉCAUTIONS DE SÉCURITÉ • PIÈCES DE RÉPARATION

S4000 et S5000
Treuil électrique de 12 & 24 Volts DC
avec commande à distance

▲ ATTENTION

LISEZ ET COMPRENEZ CE MODE D'EMPLOI AVANT D'INSTALLER ET DE FAIRE FONCTIONNER VOTRE PRODUIT SUPERWINCH

Superwinch, Inc.
Winch Drive
Putnam, CT 06260
U.S.A.
Tél. (860) 928-7787
Fax (860) 963-0811

Superwinch, Ltd.
Abbey Rise, Whitchurch Road
Tavistock, Devon PL 19 9DR
England
Tél. (1822) 614101
Fax (1822) 615204

INTRODUCTION

Merci de votre achat d'un treuil de la Série S de Superwinch. Il a été conçu et fabriqué de manière à vous fournir des années de fonctionnement sans ennui. Nous espérons que vous serez satisfait de sa performance. Si vous ne l'êtes pas, pour quelque raison que ce soit, veuillez contacter le Service Clientèle au : + (860) 928-7787 pour les États-Unis et au

+ (1822) 614101 en Angleterre.

Lorsque vous demandez des renseignements ou lorsque vous commandez des pièces de rechange, ayez toujours les informations suivantes à votre disposition :

1. Numéro de pièce du treuil
2. Numéro de série (se trouve sur le carter)
3. Le numéro de pièce (se trouve dans la rubrique Liste de pièces de rechange)
4. Description de la pièce

Veuillez lire et comprendre ce Mode d'emploi avant d'installer votre treuil. Faites particulièrement attention aux règles de fonctionnement et de sécurité. Votre treuil est une machine très puissante. S'il est utilisé de manière dangereuse ou incorrecte, des dommages physiques ou corporels pourraient s'ensuivre. Nous avons incorporé plusieurs fonctions de sécurité au afin de minimiser cette possibilité; néanmoins, en fin de compte, votre sécurité dépend des précautions que vous prenez lors de l'utilisation de ce produit.

Dans tout ce manuel, vous trouverez des notations comportant les titres suivants :

⚠ DANGER

Indique une situation dangereuse imminente qui, si elle n'est pas évitée, entraînera la mort ou des blessures graves.

⚠ AVERTISSEMENT

Indique une situation potentiellement dangereuse qui, si elle n'est pas évitée, entraînera la mort ou des blessures graves.

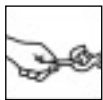
⚠ ATTENTION

Indique une situation potentiellement dangereuse qui, si elle n'est pas évitée, peut entraîner des blessures légères ou moyennes. Cette notation est également utilisée pour alerter contre les pratiques non sécuritaires.

Les symboles suivants sont utilisés sur le produit et dans le manuel de l'opérateur :



Lisez le manuel de l'opérateur



Toujours utiliser la barre protectrice



Restez éloigné du treuil, du câble et du crochet durant le fonctionnement



N'utilisez jamais le treuil pour lever ou déplacer des personnes



Ne jamais utiliser le treuil pour retenir des charges en place

N.B. Indique des renseignements supplémentaires pour l'installation et les procédures de fonctionnement de votre treuil.

Une installation correcte de votre treuil est requise pour qu'il fonctionne correctement.

NOTA BENE : Le treuil de la Série S de Superwinch est conçu principalement pour une utilisation générale à fonctionnement intermittent. Ce treuil n'est pas conçu pour être utilisé dans des applications industrielles ou de treuillage et Superwinch ne garantit pas son aptitude à une telle utilisation. Superwinch fabrique une gamme séparée de treuils pour utilisation industrielle ou commerciale. Veuillez contacter notre Service Clientèle pour de plus amples renseignements.

Félicitations sur votre choix !

DESCRIPTION GÉNÉRALE

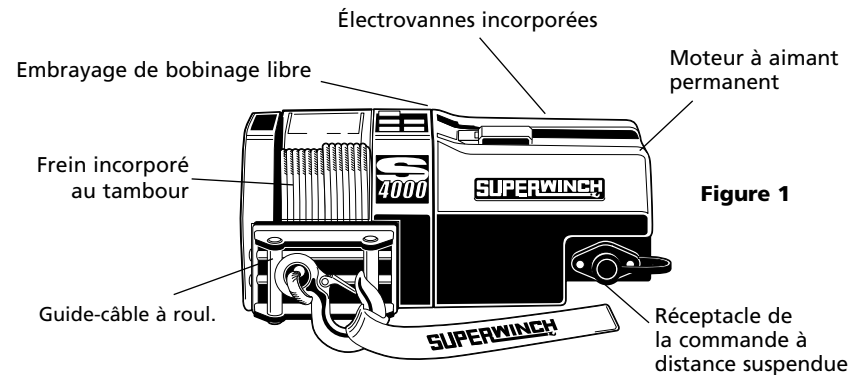


Figure 1

SPECIFICATIONS

S4000

Capacité de travail* 4,000 lb. (1814 kg)
 Câble de métallique7/32" x 60'(4 mm x 15.24 mm)
 Moteur 12V / 24V 1.8 hp (1.34 kW) pico
 Rapport d'engrenage 159:1

S5000

Capacité de travail* 5,000 lb. (2268 kg)
 Câble de métallique1/4" x 50'(0 mm x 15.24 mm)
 Moteur 12V / 24V 2.1 hp (1.57 kW) pico
 Rapport d'engrenage 159:1

*Basé sur le rendement de la première couche

CAPACITÉS DE CHARGE ROULANTE

S4000

Inclinaison*	10% (6°)	20% (11°)	30% (17°)	100% (45°)
Lbs.**	17,588	11,905	9,138	4,499
kg**	7,978	5,400	4,145	2,041

S5000

Inclinaison*	10% (6°)	20% (11°)	30% (17°)	100% (45°)
Lbs.**	22,613	15,306	11,749	5,784
kg**	10,257	6,943	5,329	2,624

Les valeurs nominales supposent un coefficient de friction de 10%.

* Une inclinaison de 10% équivaut à une montée de 1 pied (30.5 cm) en dix pieds (3.05 m). Les inclinaisons en degrés approximatifs sont donnés ci-dessus.

** Toutes les charges sont pour un fonctionnement à câble unique. Le fonctionnement à câble double avec un palan augmente la capacité du treuil approximativement du double. (Voir la Fig. 3.)

DÉBALLAGE DU CARTON

Ce carton contient les composants suivants. Veuillez déballer soigneusement. Lisez les consignes d'utilisation avant de commencer.

Description	Quantité
Assemblage du treuil avec câble métallique et fils conducteurs	1
Assemblage du disjoncteur avec visserie	1
Barre protège-mains	1
Kit de visserie de montage	1
Commande à distance suspendue	1
Mode d'emploi	1

DIMENSIONS

S4000, S5000

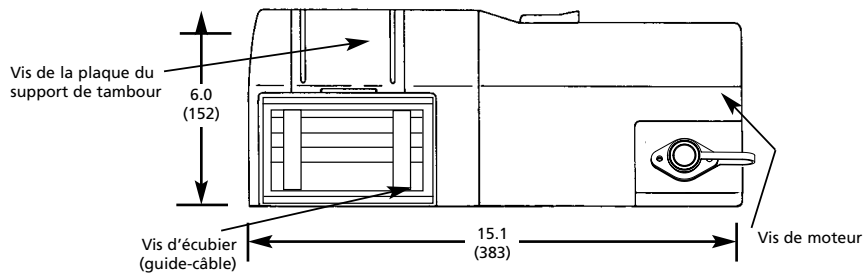
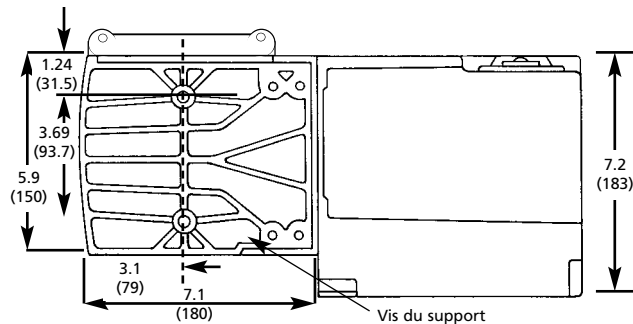


Figure 2



NOTES :

- Toutes les dimensions sont données en pouces (millimètres).
- Le montage habituel se fait sur une surface plate capable de supporter les charges. Les boulons doivent être de classe 5 ou supérieure.

RENDEMENT

S4000

Couche	Capacité de traction maximale	
	livres	kg
1	4,000	1814
2	3,000	1361
3	2,600	1179
4	2,000	907

Charge du Treuil livres	kg	Vitesse		Courant moteur (ampères)
		p/min	m/min	
0	0	21.6	6.6	30
1,000	454	16.0	4.9	90
2,000	907	12.4	3.8	155
2,500	1134	10.6	3.2	180
3,000	1361	8.8	2.7	215
3,500	1588	6.2	1.9	250
4,000	1814	4.5	1.4	311

S5000

Couche	Capacité de traction maximale	
	livres	kg
1	5,000	2268
2	4,000	1814
3	3,500	1588
4	2,900	1315

Charge du Treuil livres	kg	Vitesse		Courant moteur (ampères)
		p/min	m/min	
0	0	17.5	5.3	36
1,000	454	14.5	4.9	80
2,000	907	12.0	3.7	135
3,000	1361	9.5	2.9	200
4,000	1814	7.3	2.2	265
5,000	2268	4.5	1.4	350

*Basée sur le rendement de la première couche

FONCTIONNEMENT INTERMITTENT

Un treuil électrique est comme tout autre outil entraîné par moteur tel qu'une scie ou perceuse électrique. Il ne faut pas permettre la surchauffe du moteur électrique. Des précautions normales prolongeront la vie de votre moteur. Gardez les temps de traction aussi courts que possible. **Si le moteur devient trop chaud pour le toucher confortablement, arrêtez le treuilage et permettez au moteur de refroidir.**

ATTENTION **SI LE MOTEUR DU TREUIL SE BLOQUE, ARRÊTEZ L'ALIMENTATION DE COURANT AU TREUIL.**

FONCTIONS

Moteur électrique - 1,8 (S4000), 2,1 (S5000), 1,34 (S4000), 1,57 (S5000) kW 12V ou 24Volt Aimant permanent.

Freinage - Frein à ressort enroulé qui peut retenir 50% de charge nominale sur la première couche. Réduisant d'environ 10% par couche après la première.

Tambour - fait d'aluminium coulé sous pression, fonctionnant dans des roulements libres n'exigeant aucune maintenance.

Embrayage de bobinage libre - Fonctionne grâce à un levier d'action aisée qui désembraye la boîte de vitesse pour permettre le déroulement du câble métallique sans courant électrique. Une plaque de tension réduit le jeu et la vrille lors du déroulement du câble.

Commande à distance - Un assemblage de commutation suspendu, tenu à la main, de 30 pieds (9.14 m) avec un commutateur de verrouillage réciproque de marche arrière et une détente.

Montage - Des kits de montage à conception spécialisée sont disponibles en option pour adapter le treuil au cadre du véhicule.

INFORMATIONS GÉNÉRALES DE SÉCURITÉ

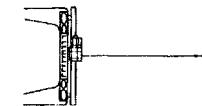
Votre treuil Série S est une machine de grande puissance. Traitez-le avec respect, utilisez-le avec précaution, et suivez toujours les consignes de sécurité.

ATTENTION **LE CÂBLE MÉTALLIQUE**

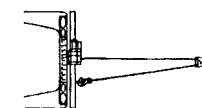
PEUT ROMPRE AVANT QUE LE TREUIL NE CALE. POUR LES CHARGES LOURDES, UTILISEZ UN PALAN POUR RÉDUIRE LA CHARGE SUR LE CÂBLE.

1. Les treuils S4000 et le S5000 sont classés à 4 000 et 5 000 livres (1814 et 2268 kg) (câble unique) de capacité sur la couche de câble qui se trouve le plus près du tambour NE SURCHARGEZ PAS LE TREUIL. N'ESSAYEZ PAS DES TREUILLAGES PROLONGÉS AVEC DES CHARGES LOURDES. Ne maintenez pas l'alimentation au treuil si le moteur cale. Les surcharges peuvent endommager le treuil et/ou le câble et peuvent créer des conditions dangereuses. POUR LES CHARGES SUPÉRIEURES À 2/3 DE CAPACITÉ NOMINALE, NOUS RECOMMANDONS L'UTILISATION DU PALAN OPTIONNEL POUR REDOUBLER LE CÂBLE (Figures 3 et 15). Ceci réduit la charge sur le treuil et la tension sur le câble d'environ 50%. En cas d'attache au même véhicule, fixez le treuil au cadre ou à un autre point de porte-charge. Le moteur du véhicule doit être en marche pendant le fonctionnement du treuil pour minimiser l'épuisement de la batterie et maximiser la force et la vitesse du treuil. Si un treuilage important est effectué sans que le moteur ne soit en marche, il se peut que la batterie soit trop faible pour faire re-démarrer le moteur.

2. APRÈS AVOIR LU ET COMPRIS CE MANUEL, APPRENEZ À UTILISER VOTRE TREUIL. Une fois le treuil installé, exercez-vous à l'utiliser pour vous familiariser avec son fonctionnement en cas de besoin.



Câble Unique



Câble Double

Figure 3

3. NE "déplacez" PAS votre véhicule pour aider le treuil à tirer la charge. La combinaison de la traction du treuil et de la traction du véhicule pourrait surcharger le câble ainsi que le treuil.
4. DÉGAGEZ LA ZONE DE TREUILLAGE DE TOUT OBSTACLE. Ne permettez pas aux gens de rester dans la zone de fonctionnement du treuil. TENEZ-VOUS TOUJOURS À L'ÉCART DU CÂBLE, DU CROCHET ET DU TREUIL. DANS LE CAS PEU PROBABLE D'UNE PANNE, MIEUX VAUT ÊTRE À DISTANCE.
5. INSPECTEZ FRÉQUEMMENT LE CÂBLE MÉTALLIQUE ET L'ÉQUIPEMENT. UN CÂBLE USÉ AYANT DES FILS CASSÉS DOIT ÊTRE REMPLACÉ IMMÉDIATEMENT. Remplacez toujours le câble par une pièce de rechange identique du fabricant (voir la liste de pièces). Vérifiez périodiquement l'installation du treuil pour vous assurer que tous les boulons sont bien serrés.
6. PORTEZ DES GANTS EN CUIR ÉPAIS lorsque vous manipulez le câble. NE PERMETTEZ PAS AU CÂBLE DE GLISSER ENTRE VOS MAINS, MÊME LORSQUE VOUS PORTEZ DES GANTS.

Union Européenne



Bruit Le niveau sonore du fonctionnement de ce treuil est inférieur à 92 dB (A).

Isolateur de batterie Pour être conforme à la Directive 89/392/EEC concernant les machines, l'installation de chaque machine doit incorporer un interrupteur-séparateur (Pièce numéro 8370) permettant l'arrêt total de la machine sans danger.

INFORMATIONS GÉNÉRALES DE SÉCURITÉ SUITE

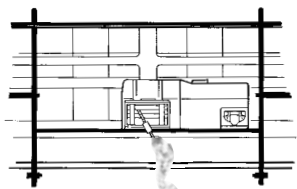


Figure 4

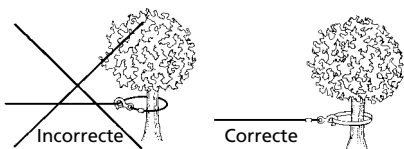


Figure 5

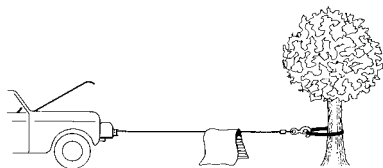


Figure 6

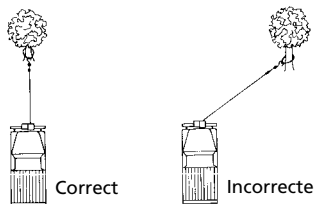
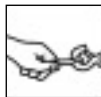


Figure 7

7. NE TREUILLEZ JAMAIS AVEC MOINS DE 5 TOURS de câble AUTOUR DU TAMBOUR DU TREUIL puisque le câble et l'attache NE résisteront PAS à la charge. SERVEZ-VOUS TOUJOURS DE LA BARRE PROTÈGE-MAINS pour guider l'enroulement ou le déroulement du câble (Voir Fig. 4).



8. TENEZ-VOUS À L'ÉCART DU TREUIL, DU CÂBLE SOUS TENSION ET DU CROCHET PENDANT LE FONCTIONNEMENT DU TREUIL. N'introduisez jamais votre doigt dans le crochet. Vous pourriez perdre votre doigt s'il restait coincé dans le crochet. **Ne guidez jamais le câble sur le tambour à l'aide des mains.**



9. N'ATTACHEZ JAMAIS LE CÂBLE SUR LUI-MEME car ceci pourrait l'endommager. Utilisez une élingue en nylon (Fig.5)

10. Lors de la traction de charges lourdes, il est recommandé de placer une couverture ou une veste lourde sur le câble métallique à proximité du crochet (Fig. 6). En cas de rupture du câble, le tissu amortira la rupture et empêchera que le câble ne fouette. Pour une protection complémentaire, soulevez le capot du véhicule.

11. N'UTILISEZ JAMAIS VOTRE TREUIL POUR SOULEVER OU DÉPLACER DES PERSONNES.



12. Votre treuil n'est pas conçu pour des opérations de hissage.

13. ÉVITEZ LA TRACTION CONTINUE À DES ANGLES EXTRÊMES. Ceci aura pour conséquence l'entassement du câble d'un seul côté du tambour (Fig. 7), ce qui peut caler le câble à l'intérieur du treuil et endommager le câble ou le treuil.

INFORMATIONS GÉNÉRALES DE SÉCURITÉ SUITE

18. RANGEZ L'ASSEMBLAGE DE LA COMMANDE À DISTANCE SUSPENDUE DANS UN ENDROIT SÛR lorsqu'il n'est pas utilisé pour empêcher que les enfants et autres personnes non autorisées ne se blessent ni ne blessent les autres.

19. NE FAITES PAS FONCTIONNER LE TREUIL LORSQUE VOUS ÊTES SOUS L'INFLUENCE DE LA DROGUE, DE L'ALCOOL OU DE MÉDICAMENTS.

20. DÉCONNECTEZ TOUJOURS LA COMMANDE À DISTANCE SUSPENDUE AVANT TOUT TRAVAIL SUR OU PRÈS DU OU DU TAMBOUR DU TREUIL (LA ZONE DE DANGER) de manière à empêcher la mise en marche accidentelle du treuil.

21. Lorsque vous déplacez une charge, absorbez lentement le jeu du câble jusqu'à ce que celui-ci se raidisse. Arrêtez et vérifiez à nouveau toutes les connexions de treuillage. Assurez-vous que le crochet est bien ancré. En cas d'utilisation d'une élingue en nylon, vérifiez sa fixation à la charge.

22. Lorsque vous utilisez votre treuil pour déplacer une charge, placez la transmission du véhicule au point mort, mettez le frein à main et calez les roues.

23. N'UTILISEZ PAS LE TREUIL POUR MAINTENIR DES CHARGES EN PLACE. Utilisez d'autres moyens pour fixer les charges telles que des sangles. Superwinch offre une grande variété de dispositifs d'attache. Contactez votre distributeur local Superwinch.



24. UTILISEZ UNIQUEMENT DES COMMUTATEURS, COMMANDES À DISTANCE ET AUTRES ACCESSOIRES APPROUVÉS PAR L'USINE. L'utilisation de composants non approuvés peut provoquer des blessures ou des dommages physiques et peut annuler votre garantie.

25. N'USINEZ ET NE SOUDEZ AUCUNE DES PIÈCES DU TREUIL. De telles modifications peuvent affaiblir l'intégrité de la structure du treuil et peuvent annuler votre garantie.

26. Ne déroulez pas plus de 50 pieds (15,2 m) de câble et ne faites pas marcher le treuil pendant plus de 2 minutes.

AVERTISSEMENT LE TAMBOUR ET LE CÂBLE PEUVENT DEVENIR TRÈS CHAUDS (Fig. 8).

27. NE BRANCHEZ PAS LE TREUIL SUR UNE ALIMENTATION DE COURANT RÉSIDENTIEL DE 120 VOLTS NI SUR UN COURANT DE SECTEUR DE 220 VOLTS - LE TREUIL POURRAIT SURCHAUFFER OU UN CHOC FATAL POURRAIT SE PRODUIRE !

28. Ne permettez jamais l'application de charges par à-coups au treuil ou au câble.

29. Opérez avec précaution pour lever ou baisser une charge le long d'une rampe ou d'une pente. Gardez personnes, animaux et propriétés à l'écart du passage de la charge.

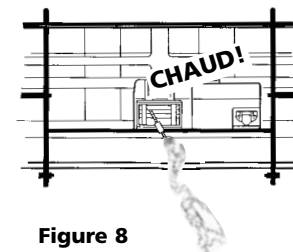


Figure 8

MONTAGE DE VOTRE TREUIL

Les kits (d'adaptation) de montage Superwinch sont disponibles pour la plupart des véhicules courants. Si vous ne trouvez pas le kit qu'il vous faut dans votre région, contactez Superwinch à l'adresse donnée au début page 2 de ce manuel pour obtenir le nom d'un distributeur Superwinch le plus proche.

Des consignes détaillées de montage sont fournies avec chacun des kits de montage.

Lisez-les et suivez-les attentivement afin d'assurer un bon alignement et un bon fonctionnement du treuil.

AVERTISSEMENT *Le treuil DOIT être monté de manière à ce que le câble s'enroule par le dessous du tambour. Un montage incorrect pourrait endommager votre treuil et annuler la garantie.*

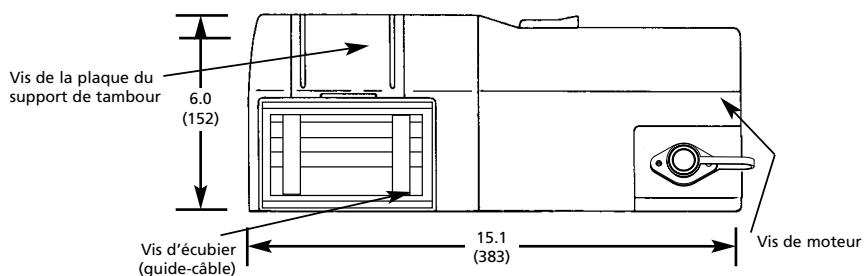
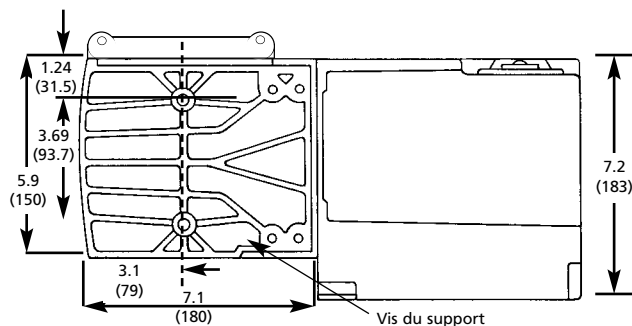


Figure 9



NOTES :

1. Toutes les dimensions sont données en pouces (millimètres).
2. Le montage habituel se fait sur une surface plate capable de supporter les charges. Les boulons doivent être de classe 5 ou supérieure.

INSTALLATION

ÉLECTRICITÉ MINIMALE REQUISE

Pour les treuils de 12 volts, les alimentations de puissance minimales recommandées consistent en un alternateur et une batterie de 60 ampères ayant une capacité de démarrage à froid de 440 ampères. Si le treuil est beaucoup utilisé, une batterie auxiliaire et un alternateur de qualité industrielle sont recommandés.

Étape (1)

Installez le kit de montage ou le support structurel pour le treuil.

Étape (2)

Montez le treuil sur le support que vous avez conçu.

Les boulons de montage fournis sont de la bonne longueur pour utilisation avec plaque de montage d'épaisseur maximale de 1/4 de pouce (6,3 mm).

INSTALLATION SUITE

AVERTISSEMENT *Ne substituez pas une classe plus faible que la classe 5.*

Lorsque vous attachez les fils aux bornes du moteur et aux électrovannes (relais), maintenez l'écrou interne pendant que vous serez l'écrou externe. Empêchez les bornes du moteur de tourner — ce qui provoquerait une rupture interne des fils ou un mauvais alignement de pièces. Soyez particulièrement attentif à empêcher la rotation des bornes (relais) de l'électrovanne. Tour rotation peut endommager l'électrovanne (Fig. 10).

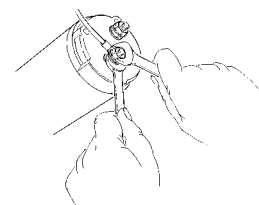


Figure 10

Étape (3)

Débranchez les fils conducteurs de la batterie du véhicule.

DANGER *Les batteries automobiles contiennent des gaz inflammables et explosifs. Portez des lunettes de protection pendant l'installation et enlevez toute bijouterie en métal. Ne vous penchez pas au-dessus de la batterie lorsque vous établissez les connexions.*

Soyez prêt

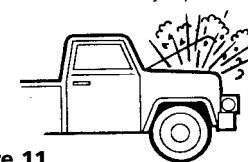


Figure 11

Étape 4

Guidez les deux (2) fils à travers la grille du véhicule jusqu'à la batterie. Pour empêcher l'abrasion ou la coupure de l'isolation, appliquez plusieurs couches de ruban adhésif pour utilisation électrique aux endroits où les fils peuvent entrer en contact avec les parties métalliques tranchantes du véhicule. Connectez l'ensemble disjoncteur au fil dont le bout est bleu. Entourez l'ensemble disjoncteur de ruban adhésif pour utilisation électrique pour prévenir les courts-circuits accidentels.

INSTALLATION SUITE

REMARQUES: Si vous choisissez de placer le treuil à une distance supérieure à celle permise par les fils fournis, il se peut que vous deviez acheter un fil de diamètre supérieur pour obtenir le meilleur rendement possible de votre treuil. Si la longueur totale de fil supplémentaire devant être ajoutée au système est supérieure à 10 pieds (3 m), utilisez un fil de diamètre supérieur.

Connectez le disjoncteur directement à la borne positive de la batterie et rattachiez la borne à la batterie. Si votre véhicule est équipé de bornes latérales, il est possible que vous deviez obtenir des boulons auxiliaires pour bornes latérales chez votre concessionnaire automobile local pour établir les connexions requises.

Branchez le fil restant à la borne négative de la batterie et branchez la borne à la batterie.

Étape (5)

Faites tourner l'embrayage de bobinage libre en position "Libre". Sortez plusieurs pieds de câble métallique du tambour. Remettez le levier d'embrayage en position "engagée". Branchez la commande à distance suspendue. Appuyez un peu sur la gâchette à la position de déroulement « Rope-Out » pour vérifier la direction et la rotation du tambour du câble métallique. Si le tambour tourne dans le mauvais sens, revérifiez vos branchements électriques.

La commande à distance suspendue active une électrovanne qui active à son tour l'alimentation du moteur du treuil. Une des électrovannes sert à la direction du moteur pour "Déroulement du Câble" et l'autre sert à la direction du moteur pour "Enroulement du Câble". (Fig.12)

ATTENTION Pour empêcher l'utilisation non autorisée du treuil, enlevez la commande à distance suspendue et rangez-la dans un endroit propre tel que la boîte à gants.

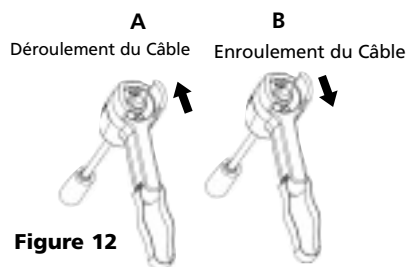


Figure 12

FONCTIONNEMENT DE LA COMMANDE SUSPENDUE

Une fois relâchée, la détente de commutation se remet en position fermée ("off") (Fig. 12, élément A). Le bouton coulissant situé à l'arrière du commutateur détermine la direction de rotation du tambour pour le fonctionnement "déroulement du câble" et "enroulement du câble" (Fig. 12, élément B). Le bouton coulissant est équipé d'un verrou réciproque pour empêcher que le moteur ne puisse être mis en marche arrière si la détente est enfoncée. Pour changer la direction, relâchez la détente, déplacez le bouton coulissant, et appuyez à nouveau sur la détente.

ATTENTION L'assemblage de commutation doit être propre et sec pour assurer un fonctionnement sans risque.

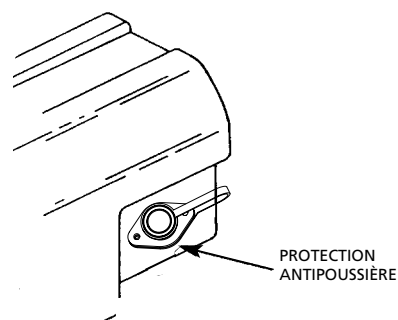


Figure 13

DÉROULEMENT DU CÂBLE MÉTALLIQUE

Le câble métallique a été installé sur votre treuil en usine à une charge minimale. Le câble doit être rembobiné sous charge sur le tambour pour que les couches extérieures ne s'enfoncent pas dans les couches intérieures, ce qui endommagerait le câble.

Soulevez le levier d'embrayage en position "Libre" de la manière indiquée à la Figure 13. S'il y a une charge sur le câble, il est possible qu'il soit difficile de déplacer le levier d'embrayage. NE FORCEZ PAS LE LEVIER D'EMBRAYAGE. Relâchez la tension du câble en le remuant un peu et essayez ensuite de désembrayer l'embrayage. Sortez du câble en tirant et attachez-le à l'ancre ou à la charge. Vérifiez qu'il reste un minimum de cinq (5) tours de câble sur le tambour. Engagez à nouveau le tambour en remettant le levier d'embrayage en position "engagée" (Fig. 14).

AVERTISSEMENT Le levier dit être en position engagé et verrouillée avant le treuillage.

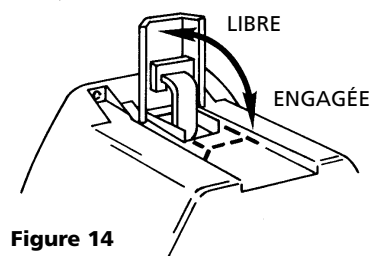


Figure 14



Figure 15

CONSEILS POUR PROLONGER LA VIE DE VOTRE TREUIL

1. GARDEZ LE CÂBLE ÉTROITEMENT ENROULÉ AUTOUR DU TAMBOUR. Ne permettez pas que le câble se desserre. Un enroulement qui n'est pas fermement serré permet au câble, lorsqu'il est sous charge, de s'enfoncer dans les couches inférieures de câble embobinées sur le tambour. Lorsque cela se produit, le câble se bloque dans le bobinage, ce qui endommage le câble. Pour empêcher ce problème, gardez le câble sous tension et enroulé de façon uniforme autour du tambour à tous moments. Il est recommandé de rembobiner le câble sous tension après chaque utilisation. Une façon de procéder est d'attacher le crochet à un objet immobile en haut d'une pente et de treuiller votre véhicule sur la pente.
2. NE PERMETTEZ PAS LA SURCHAUFFE DU MOTEUR DU TREUIL. N'oubliez pas que le treuil est uniquement conçu pour un fonctionnement intermittent. Pendant les treuillages longs ou lourds, le moteur chauffera. Pour tirer à la capacité nominale, laissez le moteur refroidir après 20 secondes de temps de fonctionnement « ON ». A des charges de moins de 50% de la capacité nominale, laissez refroidir après 2 minutes de temps de fonctionnement « ON ». LAISSEZ LE MOTEUR EN MARCHÉ PENDANT CETTE PAUSE AFIN DE RECHARGER LA BATTERIE.
3. UTILISEZ UN PALAN POUR LES CHARGES LOURDES. Afin de maximiser la vie du treuil et du câble, utilisez un palan pour avoir un câble double pour les charges plus lourdes. (Fig. 15)

4. La traction requise pour commencer à faire bouger une charge est souvent de beaucoup supérieure à la traction requise pour continuer le déplacement de la charge. **ÉVITEZ LES ARRÊTS ET REMISES EN MARCHÉ RÉPÉTÉS** pendant le treuillage.
5. **EMPÊCHEZ LES BOUCLES AVANT QU'ELLES NE SE PRODUISENT.**

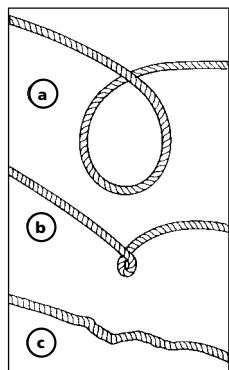


Figure 16

- a. Ceci est le début d'un noeud. À ce moment, le câble métallique devrait être tendu.
 - b. Le câble métallique a été tiré et la boucle s'est serrée pour faire un noeud. Le câble métallique est maintenant endommagé de façon permanente et doit être remplacé.
 - c. Le noeud casse les brins du fait de la forte tension et par conséquent réduit la capacité de charge du câble métallique. Ce câble métallique doit être remplacé.
6. Pour réduire de manière importante l'usure du câble pendant les treuillages sur angle, **ÉQUIPEZ LE TREUIL D'UN GUIDE-CÂBLE** (Fig. 17). Les roulements éliminent l'abrasion et le frottement excessif du câble.

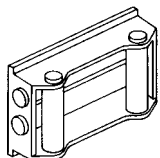


Figure 17

ENTRETIEN ET RÉPARATION

Contrôlez périodiquement le degré de serrage des boulons de montage et des branchements électriques. Enlevez toute saleté ou corrosion qui aurait pu s'accumuler sur les branchements électriques.

Les réparations NE devraient être effectuées QUE par les Centres de réparation Superwinch autorisés. N'essayez pas de démonter la boîte de vitesses. Le démontage annulera la garantie.

LUBRIFICATION

La boîte de vitesses et le roulement du tambour sont lubrifiés de manière permanente avec un lubrifiant d'engrenage de qualité industrielle. Si la re-lubrification s'avère nécessaire (après une réparation ou un démontage), utilisez seulement du Shell Alvenia EP2 ou un produit équivalent.

REMPACEMENT DU CÂBLE

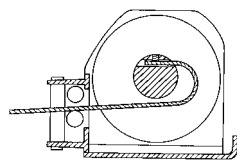


Figure 18

Ne substituez jamais un câble plus lourd ou plus léger. N'utilisez jamais un câble fait de matériel autre que de fil métallique.

Remplacez toujours le câble endommagé avec une pièce de rechange identique du fabricant d'origine (voir la liste de pièces). Faites passer l'extrémité de fixation du câble par le guide-câble (s'il y en a) et attachez-la au tambour. Lorsque vous introduisez le câble dans le tambour, introduisez-le du bon côté de l'orifice fourni (Fig. 18). Serrez à fond la vis de serrage.

Il est important que le câble soit enroulé étroitement autour du tambour. Une bonne façon de ce faire est d'attacher le crochet du câble à un point fixe en haut d'une pente douce et de treuiller votre véhicule jusqu'au sommet.

FONCTIONNEMENT DU FREIN

Votre treuil de Série S a un frein à ressort enroulé et retient des charges allant jusqu'à 50% de la capacité nominale sur la première couche de câble la plus près du tambour.

Chaque tour de câble supplémentaire réduit la capacité du frein d'environ 10%. Lorsque le treuil est en mode de traction, le frein est désactivé et il ne s'active qu'au moment où le moteur est coupé et que la charge essaie de dérouler le câble du tambour. Lorsque le treuil fonctionne en mode de relâche, c'est-à-dire pour relâcher une charge, le frein est activé et le moteur doit surmonter la résistance du frein pour faire tourner le tambour. De ce fait, il est normal que le treuil tourne plus vite dans une direction que dans l'autre. Le frein est conçu pour une utilisation en position d'enroulement par dessous le tambour uniquement. **N'EMBOBINEZ PAS EXCESSIVEMENT.** Travailler contre le frein provoquera une accumulation de chaleur qui peut être transférée au câble (Fig. 19). **NE DÉROULEZ PAS PLUS DE 50 PIEDS (15,2 M) DE CÂBLE ET NE FAITES PAS MARCHER LE TREUIL PENDANT PLUS DE 2 MINUTES.**

⚠ AVERTISSEMENT **Le tambour et le câble peuvent devenir très chauds.**

Lorsque le câble est sorti du tambour, comme lorsqu'on ramène le crochet à la charge, il faut utiliser la fonction de bobinage libre du treuil.

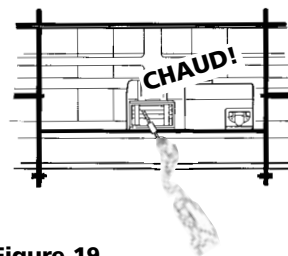
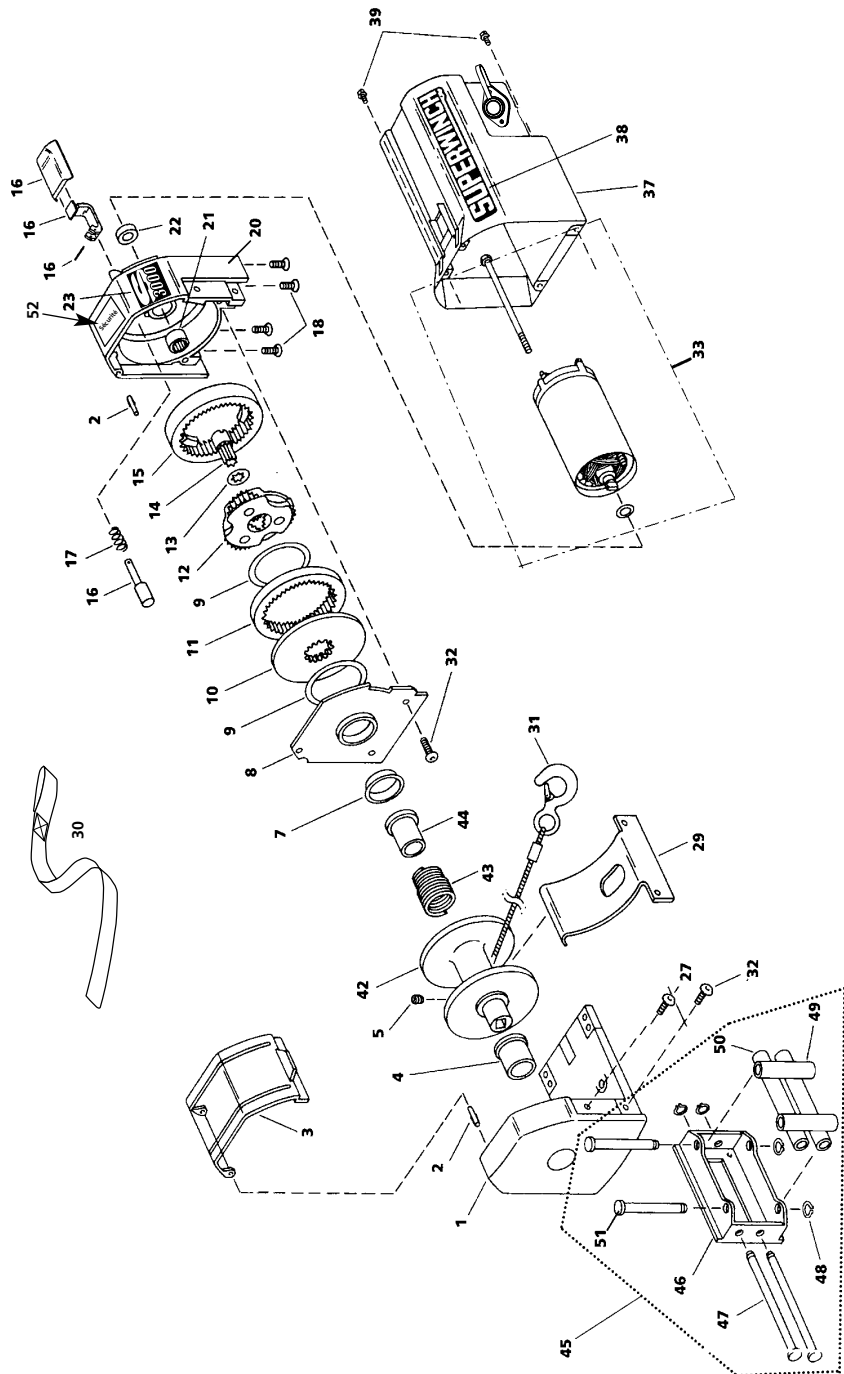


Figure 19

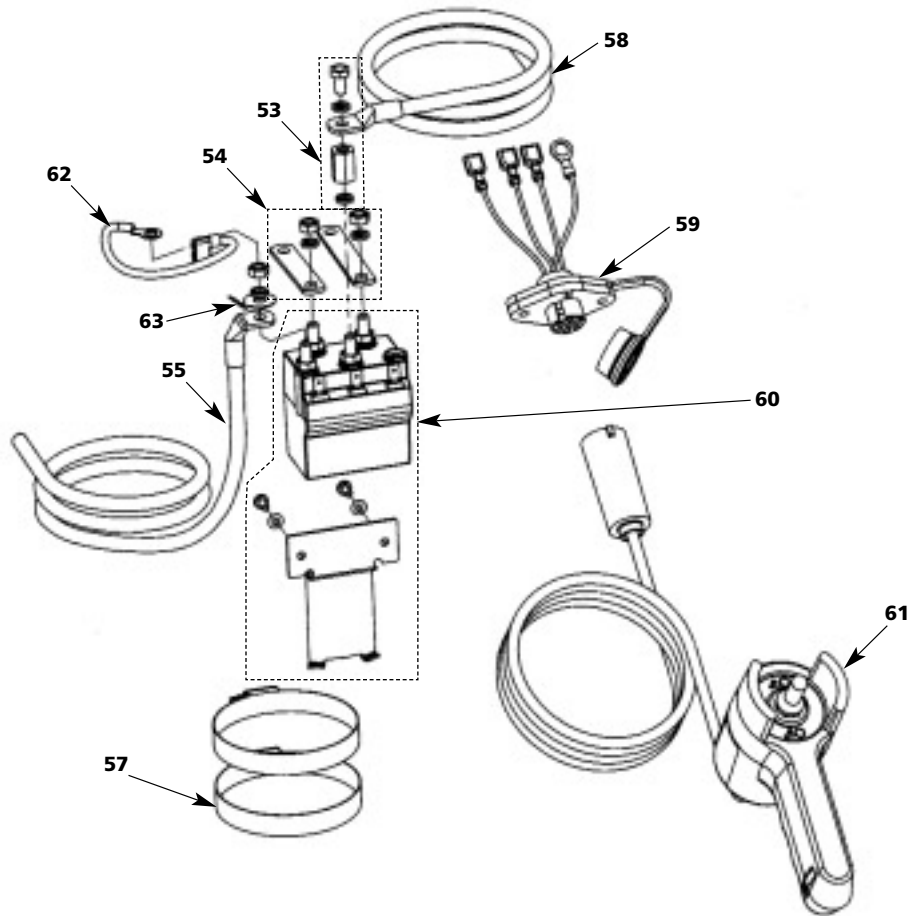
ASSEMBLAGE DU TREUIL



Liste de Pièces du Treuil

Article	Description	No. de Pièce	Qté
1	Support	89-52021	1
2	Goupille de nervure	89-23303-01	2
3	Protège-câble	89-32268	1
4	Palier principal	89-22268	1
5	Vis pt pour coupole de montage M6 x 1 x 8 mm	90-23164-12	1
7	Palier du tambour	89-22269	1
8	Support du tambour	89-40092	1
9	Plaque de poussée	90-12574	2
10	Plaque d'entraînement	89-32263	1
11	Couronne d'entraînement rotatif	89-32265	1
12	Assemblage d'entraînement planétaire	89-22141	1
14	Roue solaire	89-33303	1
15	Couronne d'entraînement fixe	89-32266	1
16	Kit de réparation de la roue libre (y compris arbre, levier, poignée et rivet)	89-10580	1
17	Ressort de la roue libre	90-23152-08	1
18	Vis à tête plate M6 x 1 x 16 mm	89-22291-01	4
20	Assemblage du carter (comprend 21 et 22)	89-40104	1
21	Roulement à aiguille (0,8125 x 1,125 x 0,750)	89-23263-03	1
22	Roulement de l'arbre moteur	89-12002	1
23	Logo S5000	89-17332	1
	Logo S4000	89-17331	1
27	Vis à tête demi-ronde M6 x 1 x 13 mm	89-22290-01	2
29	Ressort de tension de câble	89-32295	1
30	Barre protège-mains	87-31120	1
31	Assemblage du câble métallique avec crochet 1/4 po (6,35 mm) x 50 pi (15,24 m) (S5000)	1577A	1
	Assemblage du câble métallique avec crochet 7/32 po (5,5 mm) x 60 pi (18,28 m) (S4000)	1514A	1
32	Vis à tête demi-ronde M6 x 1 x 16 mm	89-22290-02	5
33	Moteur complet 12 Volts (S5000)	90-33294	1
	Moteur complet 24 Volts	89-33298	1
	Moteur complet 12 Volts (S4000)	90-33295	1
	Moteur complet 24 Volts	90-33318	1
37	Carter du moteur	90-52024	1
38	Plaque d'identification "Superwinch"	89-22277	1
39	Vis à tête à rondelle hexagonale M4 x 0,7 x 6 mm	89-22292-01	4
42	Tambour	89-40085	1
43	Ressort de frein	90-22342	1
44	Adaptateur de frein	89-22287	1
45	Guide-câble à roul.	89-40123	1
46	Cadre du guide-câble à roul.	89-40113	1
47	Arbre du guide-câble (Long)	89-22334-02	2
48	Bague de retenue	90-23029-08	4
49	Roulement 5/8 X 2,352	90-12568-04	2
50	Roulement, 5/8 x 4,735	90-12568-06	2
51	Arbre du guide-câble (Court)	89-22334-01	2
52	Étiquette de Sécurité	89-20330	1

ASSEMBLAGE DE SOLÉNOÏDE



Liste de Pièces du Treuil

Article	Description	No. de Pièce	Qté
53	Trousse d'espaceurs de fils de connexion	89-24430	1
54	Trousse de barre omnibus	89-24431	1
55	Fil noir de calibre 2 (-) S5000 12V	89-22635-61	1
	Fil noir de calibre 6 (-) S4000, S5000 24V	89-23292-38	1
57	Baque de serrage	89-14459	2
58	Fil rouge de calibre 2 (+) S5000 12V	89-22635-60	1
	Fil rouge de calibre 6 (+) S4000, S5000 24V	89-23292-37	1
59	Douille	90-14140	1
60	Solénoïde de type 6 avec fixation, 12 volts	89-24429	1
	Solénoïde de type 6 avec fixation, 24 volts	89-24467	1
61	Contrôle à distance manuel	90-33450-02	1
62	Cavalier de terre de calibre 18	89-23283	1
63	Adaptateur de borne	89-14458	1

Spécifications de Couple

Vis de la plaque du support de tambour

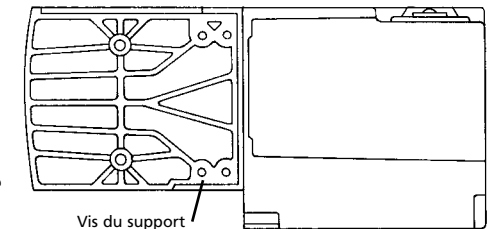
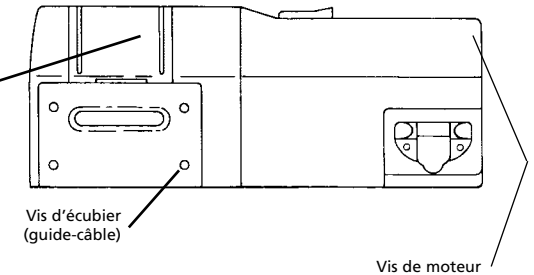
Spécifications de Couple

Vis de la plaque de support de tambour 50-60 livres-pouces

Vis de l'écubier (guide-câble) 45-55 livres-pouces

Vis du support 65-75 livres-pouces

Moteur 35-40 livres-pouces



AVERTISSEMENT *Un couple excessif pourrait endommager votre treuil et annuler votre garantie.*

TABLEAU DE DÉPANNAGE

En cas de problème, contactez le distributeur ou centre de réparation Superwinch le plus proche

Condition	Cause Possible	Correction
Moteur ne démarre pas ou ne marche que dans un seul sens	<ol style="list-style-type: none"> 1. Electrovanne endommagée ou bloquée 2. Commutateur ne fonctionne pas 3. Fils cassés ou mauvaise connexion 4. Moteur endommagé 5. Electrovanne pas mise à la terre 	<ol style="list-style-type: none"> 1. ATTENTION Désactivez l'embrayage avant d'effectuer ce test afin d'éviter de mettre le tambour sous tension. Si une électrovanne se bloque une fois, il est probable qu'elle se bloquera à nouveau et il faut la remplacer immédiatement. Tapez sur l'électrovanne pour libérer les contacts bloqués. Vérifiez en appliquant de la tension à la borne de la petite électrovanne. Soyez certain que l'électrovanne est mise à la terre à la source. Une électrovanne qui n'est pas bloquée émettra un déclic audible au début de la mise sous tension 2. Remplacez le commutateur 3. Vérifiez les branchements ATTENTION utilisez toujours 2 clés (clés à vis) (Voir la Fig. 11) 4. Remplacez ou réparez le moteur. 5. Vérifiez le circuit de la mise à la terre entre la borne négative de la batterie et la base de l'électrovanne
Impossible de fermer le treuil	<ol style="list-style-type: none"> 1. Electrovanne bloquée sur "marche" (on) 	<ol style="list-style-type: none"> 1. Si l'électrovanne se bloque lorsqu'elle est en marche, passez à la direction inverse et appuyez sur la détente de commutation jusqu'à ce que le fil conducteur puisse être déconnecté. Un commutateur de déconnexion de sûreté est disponible en accessoire
Moteur tourne extrêmement chaud	<ol style="list-style-type: none"> 1. Période de fonctionnement longue 2. Moteur endommagé 3. Frein endommagé 	<ol style="list-style-type: none"> 1. Permettez au moteur de refroidir 2. Remplacez ou réparez le moteur 3. Remplacez ou réparez le frein
Moteur marche mais avec insuffisamment de puissance ou de vitesse de ligne	<ol style="list-style-type: none"> 1. Batterie faible 2. Fil batterie-treuil trop long 3. Mauvaise connexion batterie 4. Mauvaise mise à la terre 5. Frein endommagé 	<ol style="list-style-type: none"> 1. Rechargez ou remplacez la batterie. Vérifiez le système de chargement 2. Utilisez un fil plus gros 3. Vérifiez si les bornes de la batterie sont corrodées. Nettoyez selon le besoin 4. Vérifiez et nettoyez les connexions 5. Réparez ou remplacez le frein
Moteur marche mais tambour ne tourne pas	<ol style="list-style-type: none"> 1. Embrayage non engagé 	<ol style="list-style-type: none"> 1. Engagez l'embrayage
Treuil fait marche arrière	<ol style="list-style-type: none"> 1. Fils du moteur intervertis 2. Branchement incorrect des fils des électrovannes 	<ol style="list-style-type: none"> 1. Revérifiez les fils 2. Revérifiez les fils
Treuil ne supporte pas la charge	<ol style="list-style-type: none"> 1. Charge excessive 2. Frein usé ou endommagé 	<ol style="list-style-type: none"> 1. Réduisez la charge ou doublez le câble 2. Réparez ou remplacez le frein

SUPERWINCH®

CENTRES DE REPARATION SOUS GARANTIE

ÉTATS-UNIS

Superwinch Inc.
Winch Drive
Putnam, CT 06260
phone: 860-928-7787
repair@superwinch.com

Electric Motor Repair
2010 North 4th Street
Minneapolis, MN 55411
phone: 612-588-4693

Berens & Associates
124 Hegenberger Loop
Oakland, CA 94621
phone: 800-540-2858
berens94621@yahoo.com

Zorko's Alternator Service
241 Wells Road
Home, PA 15747
phone: 800-468-5055
zasapw@microserve.net

Electric Motors of Iowa City
50 Commercial Court
Iowa City, IA 52246
phone: 319-354-4040
emic4040@aol.com

CANADA

Demand Electric
228-39th St. N.E.
Calgary, AB T2E 2M5
403-230-2709

Harold Supply
3 Southerland Ave.
Sudbury, Ont. P3C 3A7
705-761-4455

Explora Industries Ltd.
9605-5th Ave.
Edmonton, AB T6E 0B2
780-430-8591

Dayworth Sales
1 Saunders Rd. Unit 2
Barrie, Ont. 9A7 9A7
705-726-7778

Les Equipment Twin
10401 Parkway Blvd.
Ville D'Anjou, PQ H1J 1R4
514-353-1190

Buffalo Industries
251-253 Princess Street
Winnipeg, Manitoba R2C 1M1
204-942-1951

Power Plus Tool Repair
57 Millenium Ave.
Moncton, NB E1E 2G2
560-855-8665

Muskoka Auto Parts
11 King William St.
Huntsville, Ont. P1H 2K8
705-789-2321

Lou Dennis Auto
Hiway 11 South
Sundridge, Ont. P0A 1Z0
705-384-5345 Muskoka Auto Parts

Outdoors Plus
128 Regional St.
P.O. Box 1349
Port Aux Basques, NF A0M 1C0
709-695-7533

Bobcaygeon Auto and Marine
91 Main St.
Bobcaygeon, Ont. K0M 1A0
705-738-2317

MAP Bracebridge
19 Taylor Rd.
Bracebridge, Ont. P1L 1W3
705-645-8785

MAP Fenelon Falls
165 Lindsay St.
Fenelon Falls, Ont. K0M 1N0
705-887-6232

Central Electric Motor Rewind
#1-1960 Windsor Rd.
Kelowna, NC V1Y 2Y3
250-860-4415
jnelsoncentral@netscape.net

Delta Tool Repair Limited
114-7533, 135th St.
Surrey, BC V3W 0N6
604-591-3230

Ted's Power Tool Repair
426-44th St. East
Saskatoon, SK S7K 0W1
306-934-6155

Bob's Electric Truck Service
845-B Macdonald Ave.
Regina, SK S4N 2X5
306-721-4148

Off Road Canada
251-12th St. "B" North
Lethbridge, AB T1H 2K8
403-327-7722

Gary's Starter & Alternator
P.O.Box 7 Site 4
RR 1 Mount Uniacke B0N 1Z0
Contact: Gary Thorne
902-757-2388

Power Blitz Mftg. & Maintenance
577 Edgeley Blvd. Unit 6
Concord, Ont. L4K 4B2
905-669-8209
ali@powerblitz.com

Bruce's Recreation
92 Balbo Dr.
Shoal Harbour Nfld A5A 4A8
709-466-3355

Atlantic Recreation & Marine
5 School St.
Sydney, Nova Scotia
B1S 3G1
902-567-1697
sbidart@thearm.ca

ROYAUME-UNI

Superwinch, LTD
Abbey Rise, Whitchurch road
Tavistock, Devon PL19 9DR
+44 (0) 1822 614101

À TRAVERS LE MONDE

Comuníquese con su Distribuidor local de Superwinch o llame a Superwinch.