

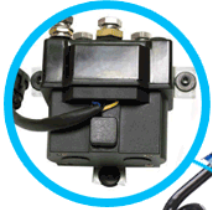


Talon Series

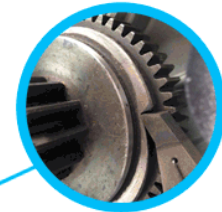
THE WINCH OF PREY

Superwinch TALON

aka: winch of prey



exclusive V54 Solenoid carry's world's best electric warranty



external brake move damaging heat away from synthetic rope

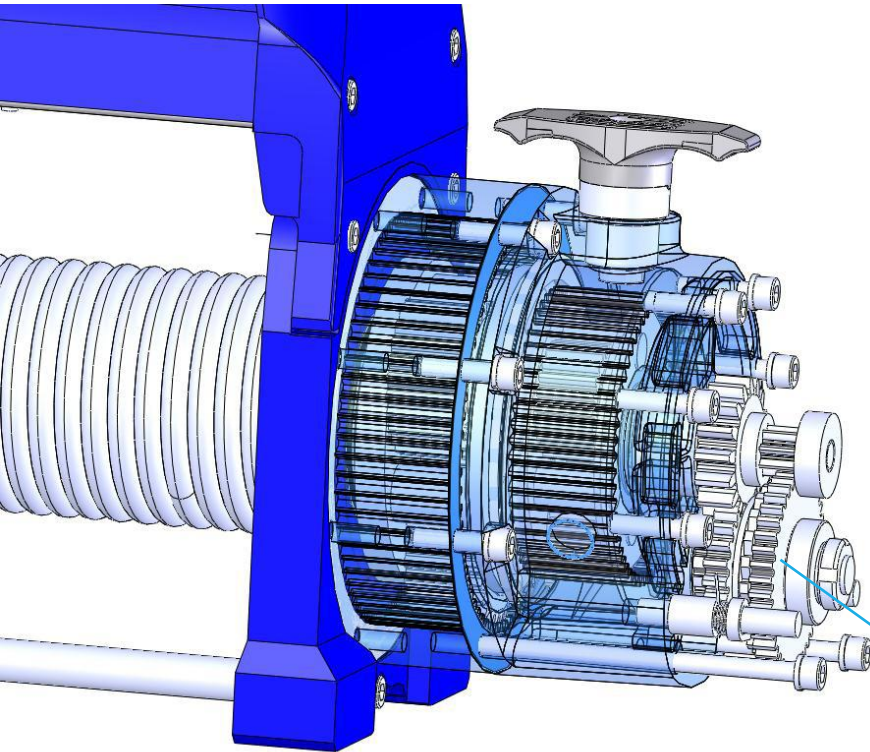


exclusive Ergo remote features LED light and 15' of quick stow coil cord



reinforced drums resist rope's torque



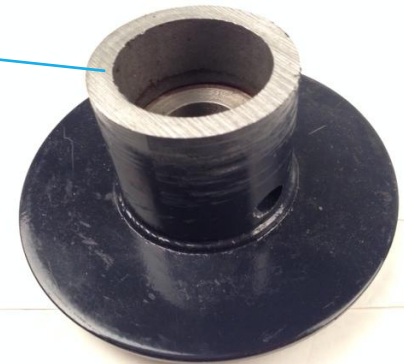


Designed for Synthetic

Superwinch pioneered the world's first synthetic rope equipped winch – and continues to lead the way.

Reinforced Drum

Superwinch lab results drove engineers to increase drum tube and flange thickness to stave off synthetic ropes impressive destructive forces.



External Brake

Heat kills synthetic, it's a fact. Superwinch relocates the brake from the traditional drum location to the end of the gear box resulting in zero heat transfer to the rope.

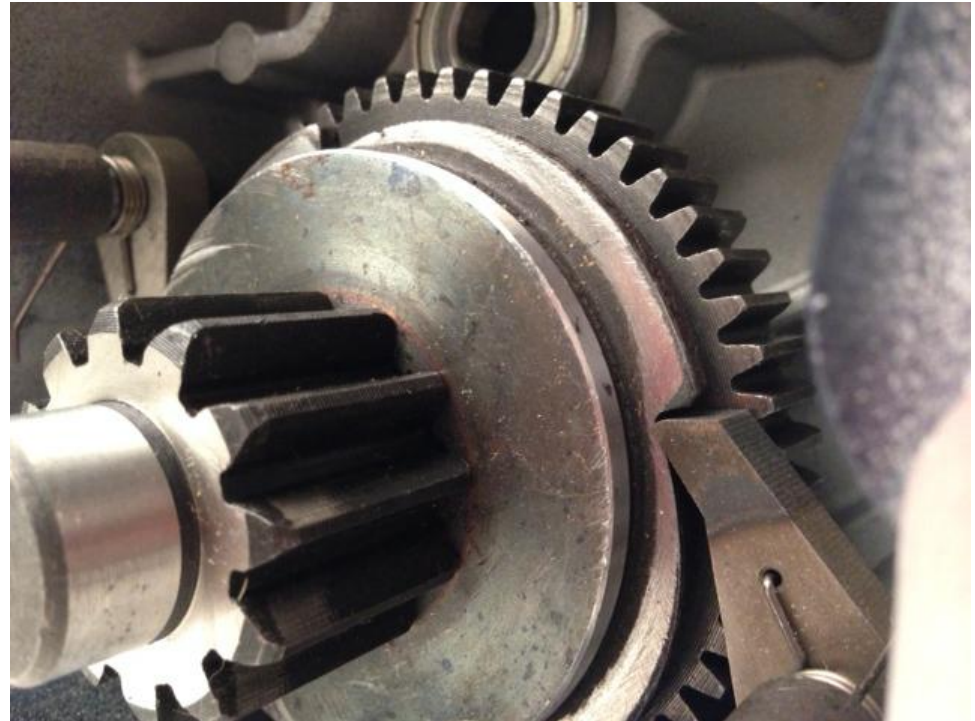


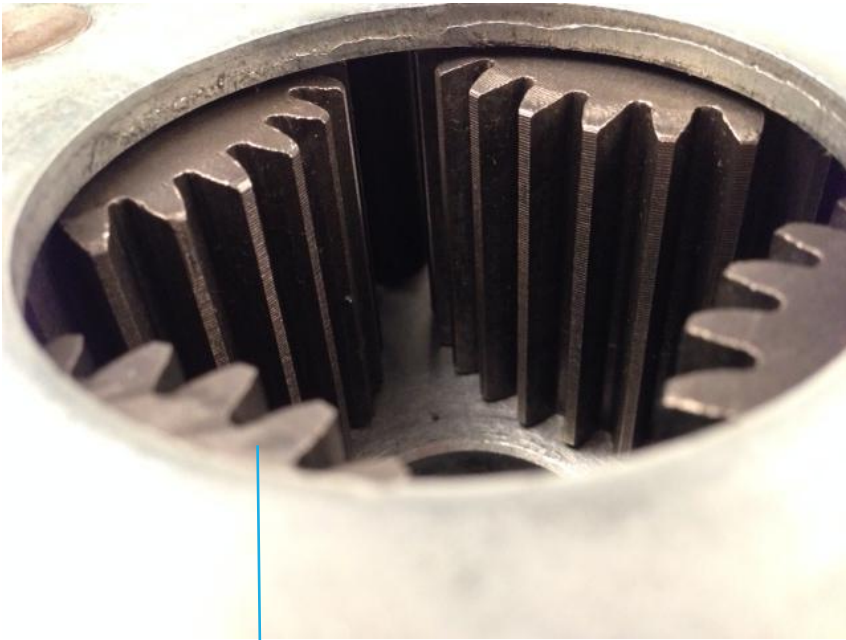
Custom Brake Housing

Added cooling fans help keep it cool while providing quick and easy access for maintenance.

Oversized Spur

Cut from a block of steel, the spur drives the winch and brake handling maximum torque on demand.



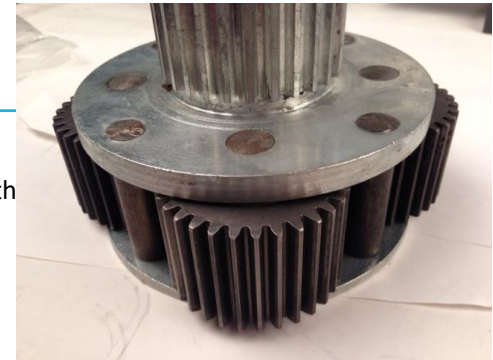


Super Gears

Extra wide gears do 2 great things: better tooth engagement and better load spreading for longer life

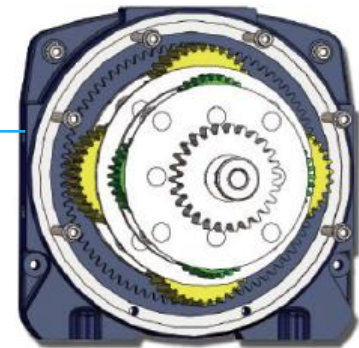
Output gear

This massive forged drum interface transfers power with ease.



Burly casting

Superwinch offers the only large chassis winch able to handle foot-down mounting.



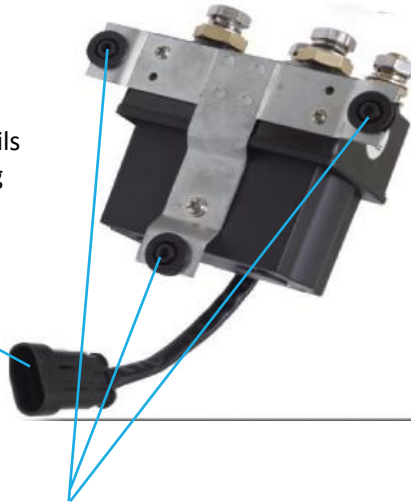
Designed, Engineered, Tested and Built by

Superwinch Exclusive

Superwinch engineers worked for over 3 years to develop a solenoid so robust, so reliable, as to earn the industry's best warranty.

Sealed Socket

Superwinch sweats the details like enforcing the IP67 rating on the solenoid socket.



3-Point-Stance

Triple mounting vibration dampeners secure solenoid to prevent premature wear and tear



Gore Vent

Allows moisture to escape while remaining completely waterproof



Light it up

Find your way with the AAA battery operated LED onboard light.



Coil it up

15' coil cord makes unpacking and packing your cord a thing of the past.



Tap it up

Soft rubber controls are sealed to IP67 rating and are glove friendly.

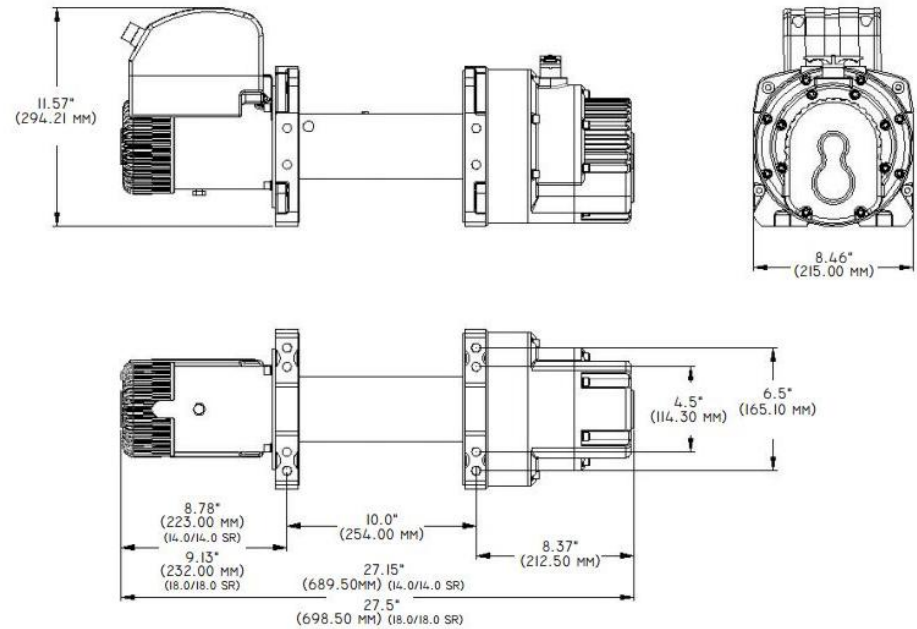
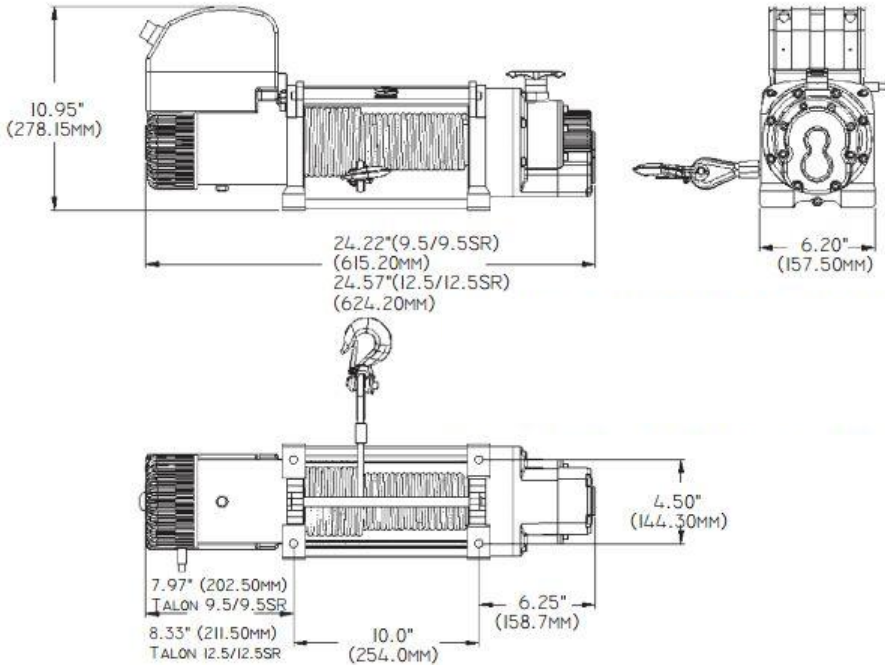
More mounting options

The incredible strength found in the Superwinch Talon 14 and 18 sizes provide a stable platform for mounting either foot-forward or foot-down.



Talon 9.5/12.5

Talon 14/18



Talon 9.5 - 12.5 Specifications

Model	9.5	9.5SR	9.5i	9.5iSR	12.5	12.5SR	12.5i	12.5iSR
Part Number	1695200	1695201	1695210	1695211	1612200	1612201	1612210	1612211
Voltage	12 VDC	12 VDC	12 VDC	12 VDC	12 VDC	12 VDC	12 VDC	12 VDC
Rated Pull lbs (kg)	9500 (4309)			12500 (5670)				
Motor hp (kW)	5.2 (3.8)			6.0 (4.48)				
Gearing	2-Stage Spur/2-Stage Planetary							
Gear Ratio	148:1							
Solenoid	VS4 (Sealed Submersible Vented)							
Freespool	Ergonomic Pull and Turn							
Brake	Automatic, Load Holding, Located Outside Drum							
Rope Length ' (m)	85 (26)	80 (24.4)	85 (26)	85 (26)	85 (26)	80 (24.4)	85 (26)	85 (26)
Rope Dia " (mm)	3/8 (9.5)	3/8 (9.5)	3/8 (9.5)	3/8 (9.5)	3/8 (9.5)	3/8 (9.5)	3/8 (9.5)	3/8 (9.5)
Hook	Heavy Duty/Clevis Pinned/Latched							
Fairlead/Hawse	Fairlead	Hawse	Fairlead	Hawse	Fairlead	Hawse	Fairlead	Hawse
Remote Control	Exclusive Ergo Handheld							
Installed lbs (kg)	90 (41)	65 (30)	92 (42)	67 (30)	95 (43)	68 (31)	95 (43)	70 (31)
Shipping lbs (kg)	103 (47)	78 (35)	105 (48)	80 (36)	108 (48)	81 (37)	108 (48)	83 (37)
Warranty	Limited Lifetime Plus 3-Year Electronic							
UPC	022705169127	022705169134	022705169141	022705169158	022705169034	022705169011	022705169028	022705169035
Performance	9.5	9.5SR	9.5i	9.5iSR	12.5	12.5SR	12.5i	12.5iSR
No Load	Amps				75			
	Line Speed				62 (18.9)			
	fpm (mpm)							
At Load	Amps				530			
	Line Speed				3.25 (0.99)			
	fpm (mpm)				5.0 (1.5)			
Alternate Versions	9.5	9.5SR	9.5i	9.5iSR	12.5	12.5SR	12.5i	12.5iSR
24VDC Versions:	1695300	1695301	1695310	1695211	1612300	1612301	1612310	1612311
No Rope 12VDC	1695202	1695202	1695212		1612202		1612212	
No Rope 24 VDC	1695302		1695312		1612302		1612312	

Talon 14-18 Specifications

Model	14	14SR	18	18SR
Part Number	1614200	1614201	1618200	1618201
Voltage	12 VDC	12 VDC	12 VDC	12 VDC
Rated Pull lbs (kg)	14000 (6350)		18000 (8165)	
Motor hp (kW)	5.2 (3.8)		6.0 (4.48)	
Gearing	2-Stage Spur/2-Stage Planetary			
Gear Ratio	346:1			
Solenoid	VS4 (Sealed Submersible Vented)			
Freespool	Ergonomic Pull and Turn			
Brake	Automatic, Load Holding, Located Outside Drum			
Rope Length ' (m)	90 (27.43)			
Rope Dia " (mm)	1/2 (13)			
Hook	Heavy Duty/Clevis Pinned/Latched			
Fairlead/Hawse	Fairlead	Hawse	Fairlead	Hawse
Remote Control	Exclusive Ergo Handheld			
Installed lbs (kg)	170 (77.1)	145 (65.7)	172 (78)	147 (66)
Shipping lbs (kg)	183 (83)	158 (71.6)	185 (83.9)	160 (72.5)
Warranty	Limited Lifetime Plus 3-Year Electronic			
UPC	022705169127	022705169134	022705169141	022705169158
Performance	14	14SR	18	18SR
No Load	Amps			
	Line Speed			
	FPM (MPM)			
At Load	Amps		415	
	Line Speed		2.5 (0.76)	
	FPM (MPM)		4.25 (1.29)	
Alternate Versions	14	14SR	18	18SR
24VDC Versions:	1614300	1614301	1618300	1618301
No Rope 12VDC	1614202		1618202	
No Rope 24 VDC	1618312		1618312	