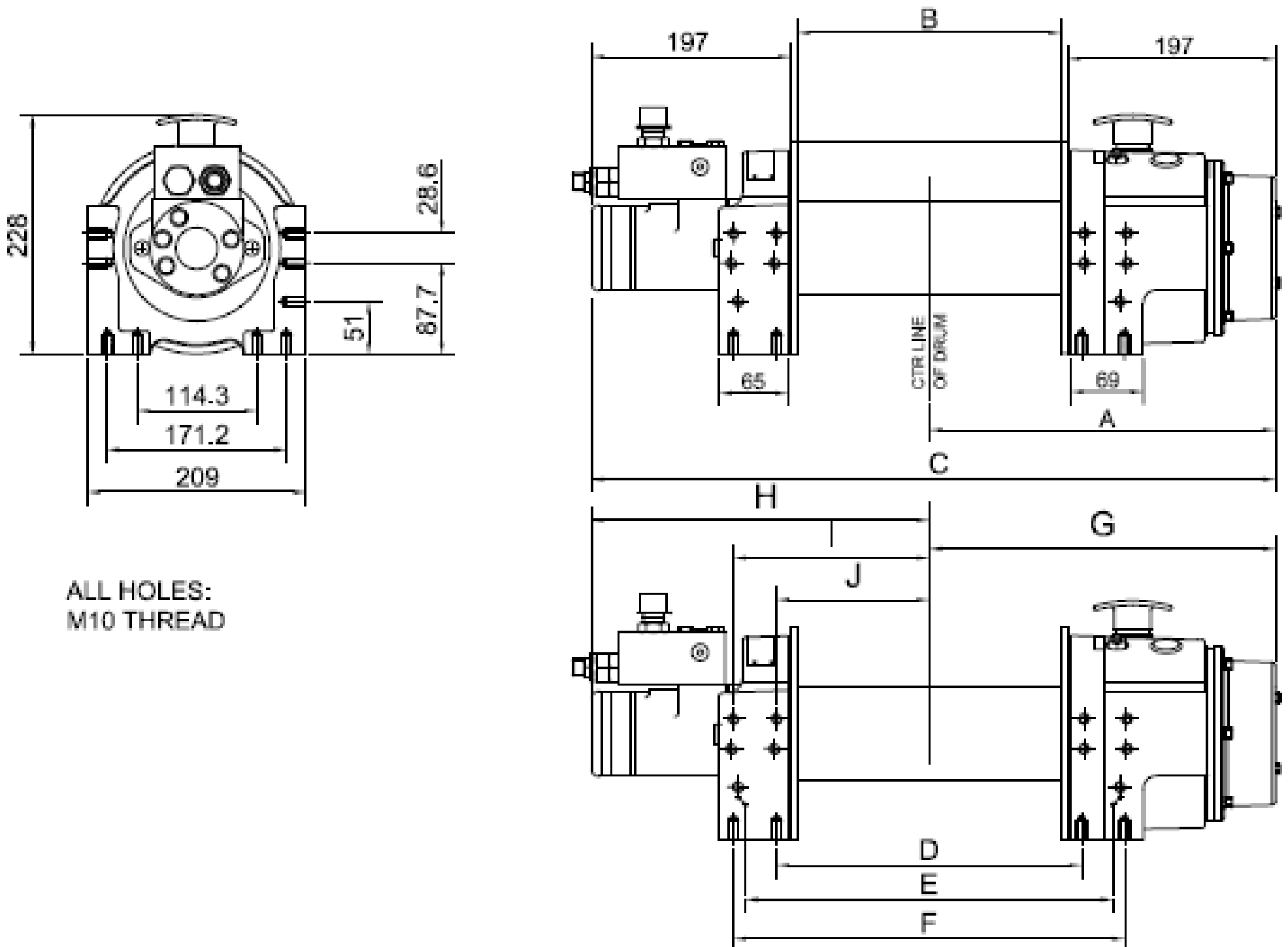


H10P Winch Installation

WINCH:	DIMENSION: mm									
	A	B	C	D	E	F	G	H	I	J
SHORT DRUM	300	190	601	229	298.5	311	299	302	155.5	114.5
LONG DRUM	330	253	664	292	361.5	374	330	334	187	146



SUPERWINCH H10P P/No 5178A

The Superwinch H10P is stocked in Australia by B&C Winches as a 5178A version. The 5178A has the 253mm drum width, referred to above as “long drum”. The line drawing above shows a counter balance valve fitted to the motor. This is not supplied on the 5178A version of the H10P